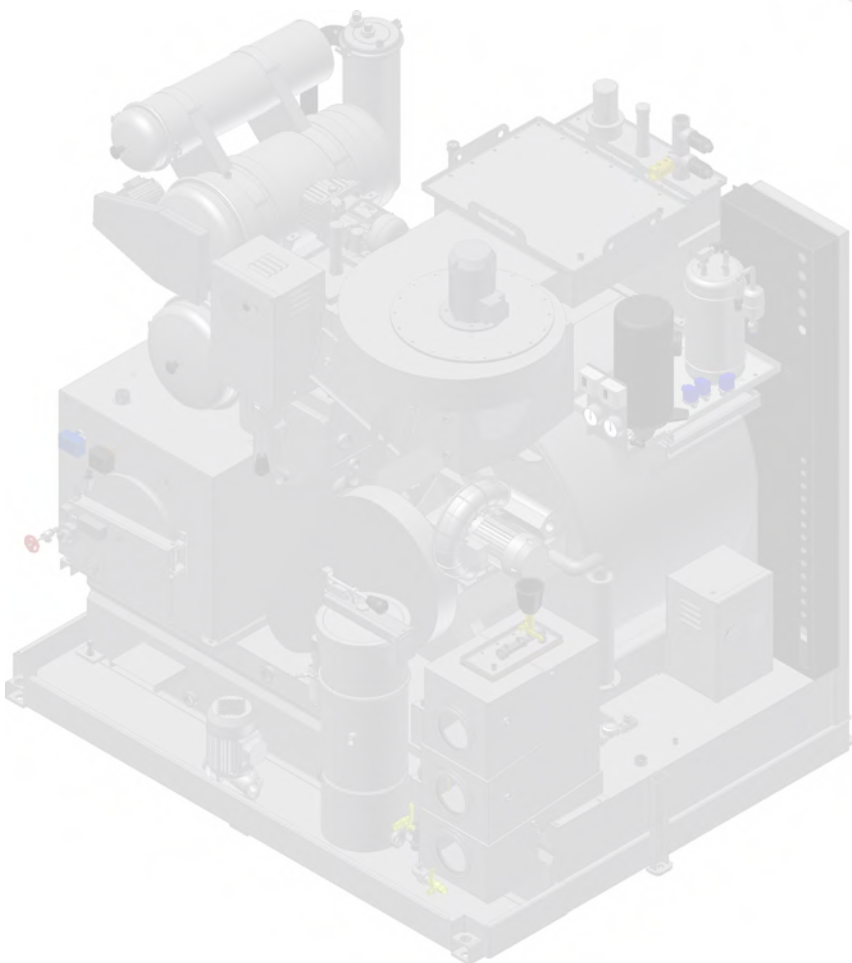


KT 343 KT 403 KT 503

MULTISOLVENT



		KT 343	KT 403	KT 503
MACHINE CAPACITY				
	Kg (Lbs)	18 (40)	20 (45÷50)	25 (55÷60)
WASHING CHAMBER				
Volume	lt (gal)	340 (90)	400 (106)	500 (132)
Diameter	mm (in)	900 (35.5)	1000 (39.4)	1000 (39.4)
Depth	mm (in)	535 (21)	510 (20)	640 (25.2)
Wash speed	rpm	12 ÷ 50	12 ÷ 50	12 ÷ 50
Extract speed	rpm	300 ÷ 540	300 ÷ 540	300 ÷ 540
Door opening	mm (in)	500 (20)	500 (20)	500 (20)
SOLVENT TANKS				
Useful volume tank 1	lt (gal)	95 (25)	120 (32)	120 (32)
Useful volume tank 2	lt (gal)	150 (39)	180 (48)	180 (48)
Useful volume tank 3	lt (gal)	-	-	-
FLOOR SAFETY TANK				
Floor safety tank capacity	lt (gal)	315 (83)	336 (89)	336 (89)
STILL				
Useful volume at half inspection	lt (gal)	190 (50)	190 (50)	190 (50)
Total volume	lt (gal)	225 (59)	225 (59)	225 (59)
Boiler water capacity	lt (gal)	15 (4)	15 (4)	15 (4)
NYLON FILTER				
Volume nylon filter housing	lt (gal)	55 (14.5)	55 (14.5)	55 (14.5)
Nylon filter area	mt² (ft²)	3.9 (42)	3.9 (42)	3.9 (42)
Filter disks	nr	26	26	26
DECOLORATING FILTER - PR				
Decolorating housing volume - PR	lt (gal)	13 (3.5)	13 (3.5)	13 (3.5)
Decolorating cabon quantity	Kg (Lbs)	2 (4.4)	2 (4.4)	2 (4.4)
Decolorating cartridges	nr	1	1	1
LARGE CARTRIDGE - KR FILTER				
Volume large cartridge housing KR	lt (gal)	55 (14.5)	55 (14.5)	55 (14.5)
Area large cartridge KR	mt² (ft²)	2.6 (28)	2.6 (28)	2.6 (28)
Cartridges quantity KR	nr	2	2	2

KT 343

KT 403

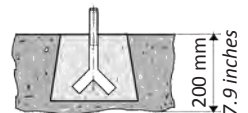
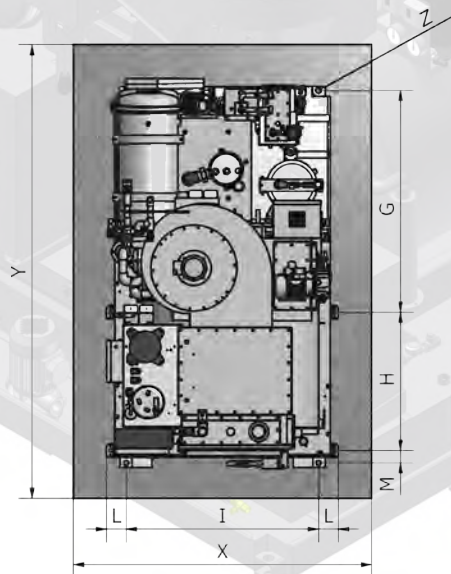
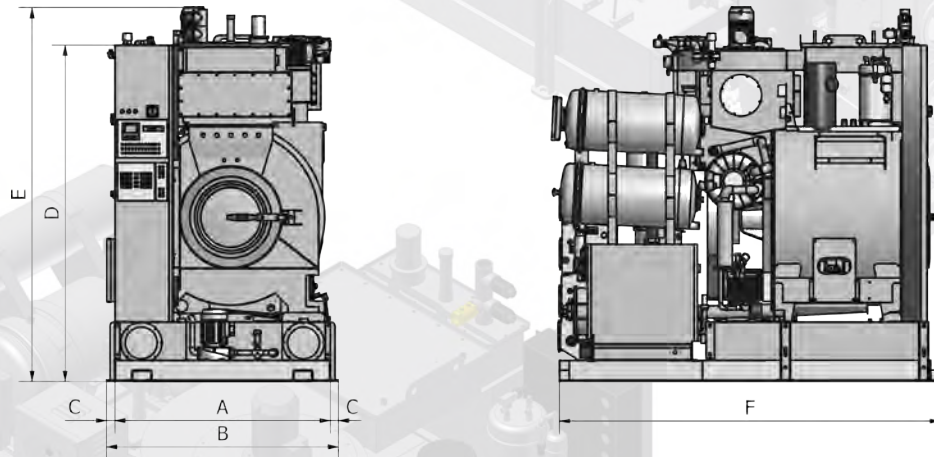
KT 503

MACHINE CAPACITY	Kg (Lbs)	18 (40)	20 (45÷50)	25 (55÷60)
DIMENSIONS				
A	mm (in)	1250 (49.2)	1300 (51.2)	1300 (51.2)
B*	mm (in)	1350 (53.1)	1400 (55.1)	1400 (55.1)
C	mm (in)	50 (2)	50 (2)	50 (2)
D	mm (in)	1965 (77.4)	2035 (80.1)	2035 (80.1)
E	mm (in)	2210 (87)	2340 (92.2)	2340 (92.2)
F	mm (in)	2160 (85)	2300 (90.6)	2300 (90.6)

* + 150 (5.9) for machine with two Nylon filters and one Decolorating filter.

FIXING POINTS

G	mm (in)	1261 (49.6)	1340 (52.8)	1340 (52.8)
H	mm (in)	774 (30.5)	835 (32.9)	835 (32.9)
I	mm (in)	1110 (43.7)	1160 (45.7)	1160 (45.7)
L	mm (in)	95 (3.7)	95 (3.7)	95 (3.7)
M	mm (in)	75 (3)	75 (3)	75 (3)
X	mm (in)	1750 (69)	1800 (71)	1800 (71)
Y	mm (in)	2600 (102)	2670 (105)	2670 (105)
Z	∅ mm (in)	∅ 20 (0.8)	∅ 20 (0.8)	∅ 20 (0.8)



The floor safety tank can be secured to the ground by means of through screws, reinforced with anchor bolts, heavy-duty pins or with expansion stay rods.

KT 343

KT 403

KT 503

MACHINE CAPACITY	Kg (Lbs)	18 (40)	20 (45÷50)	25 (55÷60)
------------------	----------	---------	------------	------------

GENERAL INFORMATION

Required water capacity	Lt/min (gal/min)	10 (3)	10 (3)	10 (3)
Required water pressure	bar (Psi)	2 ÷ 3 (29 ÷ 44)	2 ÷ 3 (29 ÷ 44)	2 ÷ 3 (29 ÷ 44)
Required water temperature	°C (°F)	18 ÷ 23 (65 ÷ 70)	18 ÷ 23 (65 ÷ 70)	18 ÷ 23 (65 ÷ 70)
Required air pressure	bar (Psi)	7 ÷ 8 (100 ÷ 115)	7 ÷ 8 (100 ÷ 115)	7 ÷ 8 (100 ÷ 115)
Required steam still/ heater pressure	bar (Psi)	4 ÷ 5 (55 ÷ 72)	4 ÷ 5 (55 ÷ 72)	4 ÷ 5 (55 ÷ 72)
Required steam still/ heater pressure (SENSENE)	bar (Psi)	Max. 2 (29)	Max. 2 (29)	Max. 2 (29)
Required steam still pressure (SOLVON K4)	bar (Psi)	Max. 2.5 (36)	Max. 2.5 (36)	Max. 2.5 (36)
Required steam* availability * Relative values of dry saturated steam	Kg/h (Lbs/h)	60 (132)	80 (176)	80 (176)

CONNECTIONS

Compressed air inlet	Ø	6 mm (¼")	6 mm (¼")	6 mm (¼")
Water inlet	Ø	1"	1"	1"
Water outlet	Ø	1"	1"	1"
Steam still inlet	Ø	½"	½"	½"
Condensate still outlet	Ø	½"	½"	½"
Steam heater inlet	Ø	½"	½"	½"
Condensate heater outlet	Ø	½"	½"	½"
Electric connection	-	-	-	-
Nitrogen feeding connection (N ₂)	-	-	-	-

WEIGHTS

Empty machine weight	Kg (Lbs)	1691 (3728)	1820 (4012)	1900 (4189)
Machine weight with solvent	Kg (Lbs)	1934 (4264)	2090 (4608)	2195 (4839)
Static charge on the floor with solvent	Kg/m ² (Lbs/ft ²)	716 (147)	741 (152)	754 (154)
Static+Dynamic charge (+10%)	Kg/m ² (Lbs/ft ²)	1118 (229)	1205 (247)	1300 (266)

ELECTRIC POWER

		400V - 50Hz	220V - 60Hz	400V - 50Hz	220V - 60Hz	400V - 50Hz	220V - 60Hz
MAX. Installed power (electric version)	kW	35.5	-	42	-	42	-
MAX. Installed power (steam version)	kW	11.5	12.5	15	16.5	15	16.5
MAX. Dissipated heat	Kcal	-	-	-	-	-	-

NOTE: Acoustic emission level of the machine is lower than 70 dB (A)