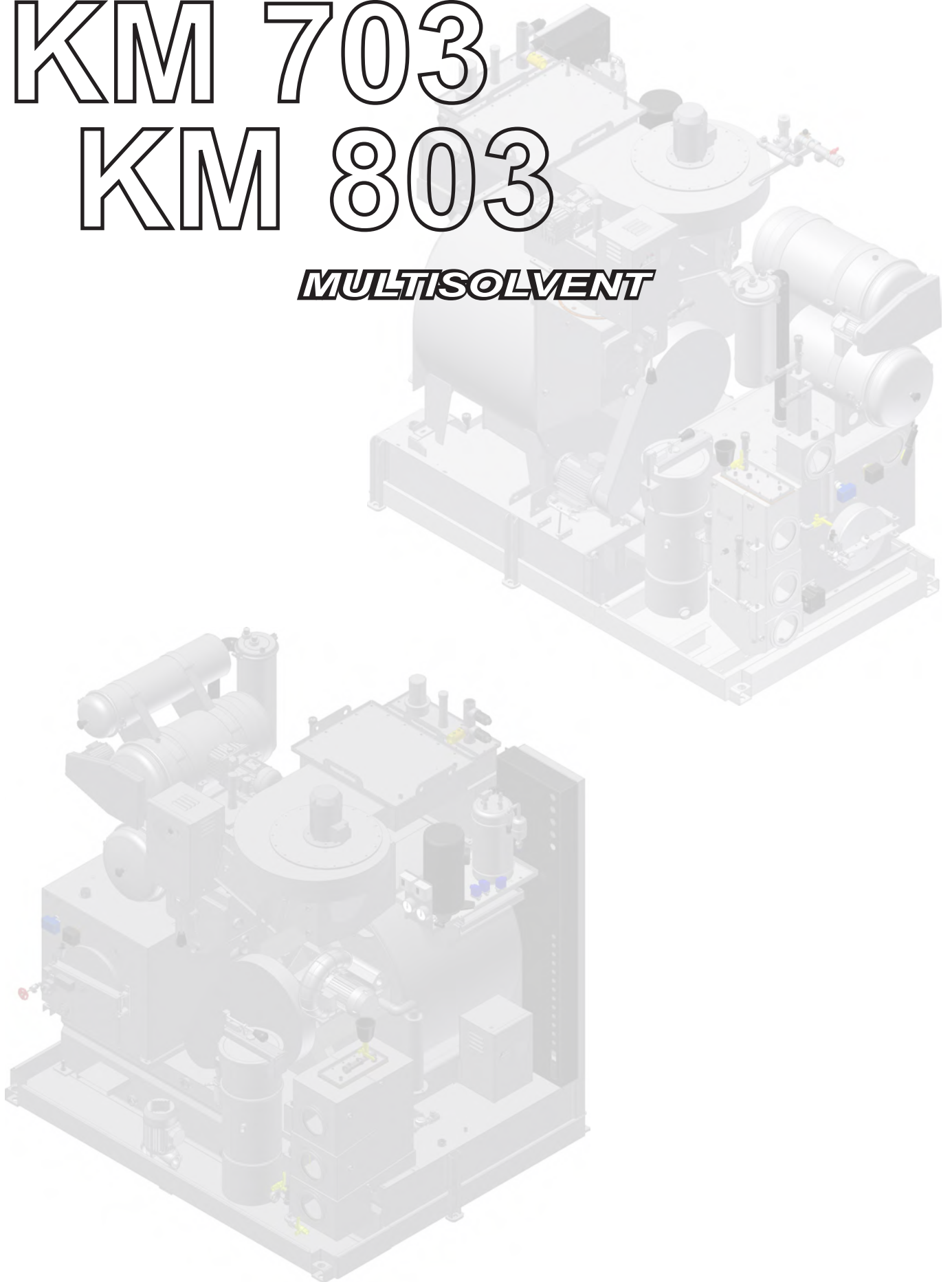


# KM 703 KM 803

***MULTISOLVENT***



**KM 703**

**KM 803**

	<b>Kg (Lbs)</b>	<b>32 (75÷80)</b>			<b>40 (90÷95)</b>
<b>MACHINE CAPACITY</b>					
<b>WASHING CHAMBER</b>					
Volume	lt (gal)	645 (170)			800 (211)
Diameter	mm (in)	1200 (47.2)			1200 (47.2)
Depth	mm (in)	570 (22.4)			710 (28)
Wash speed	rpm	12 ÷ 50			12 ÷ 50
Extract speed	rpm	300 ÷ 450			300 ÷ 450
Door opening	mm (in)	500 (20)			600 (23.6)
<b>SOLVENT TANKS</b>					
Useful volume tank 1	lt (gal)	240 (63)			240 (63)
Useful volume tank 2	lt (gal)	240 (63)			240 (63)
Useful volume tank 3	lt (gal)	330 (87)			330 (87)
<b>FLOOR SAFETY TANK</b>					
Floor safety tank capacity	lt (gal)	550 (145)			550 (145)
<b>STILL</b>					
Useful volume at half inspection	lt (gal)	360 (95)			360 (95)
Total volume	lt (gal)	455 (120)			455 (120)
Boiler water capacity	lt (gal)	-			-
<b>NYLON FILTER</b>					
Volume nylon filter housing	lt (gal)	75 (20)	Optional	Optional	Optional
Nylon filter area	mt <sup>2</sup> (ft <sup>2</sup> )	5.5 (60)	7.8 (84)	7.8 (84)	-
Filter disks	nr	39	52	52	-
<b>DECOLORATING FILTER - PR</b>					
Decolorating housing volume - PR	lt (gal)	25 (6.6)			25 (6.6)
Decolorating cabon quantity	Kg (Lbs)	4 (8.8)			4 (8.8)
Decolorating cartridges	nr	2			2
<b>LARGE CARTRIDGE - KR FILTER</b>					
Volume large cartridge housing KR	lt (gal)	85 (22.5)			105 (27.7)
Area large cartridge KR	mt <sup>2</sup> (ft <sup>2</sup> )	7.8 (84)			10.4 (112)
Cartridges quantity KR	nr	3			4

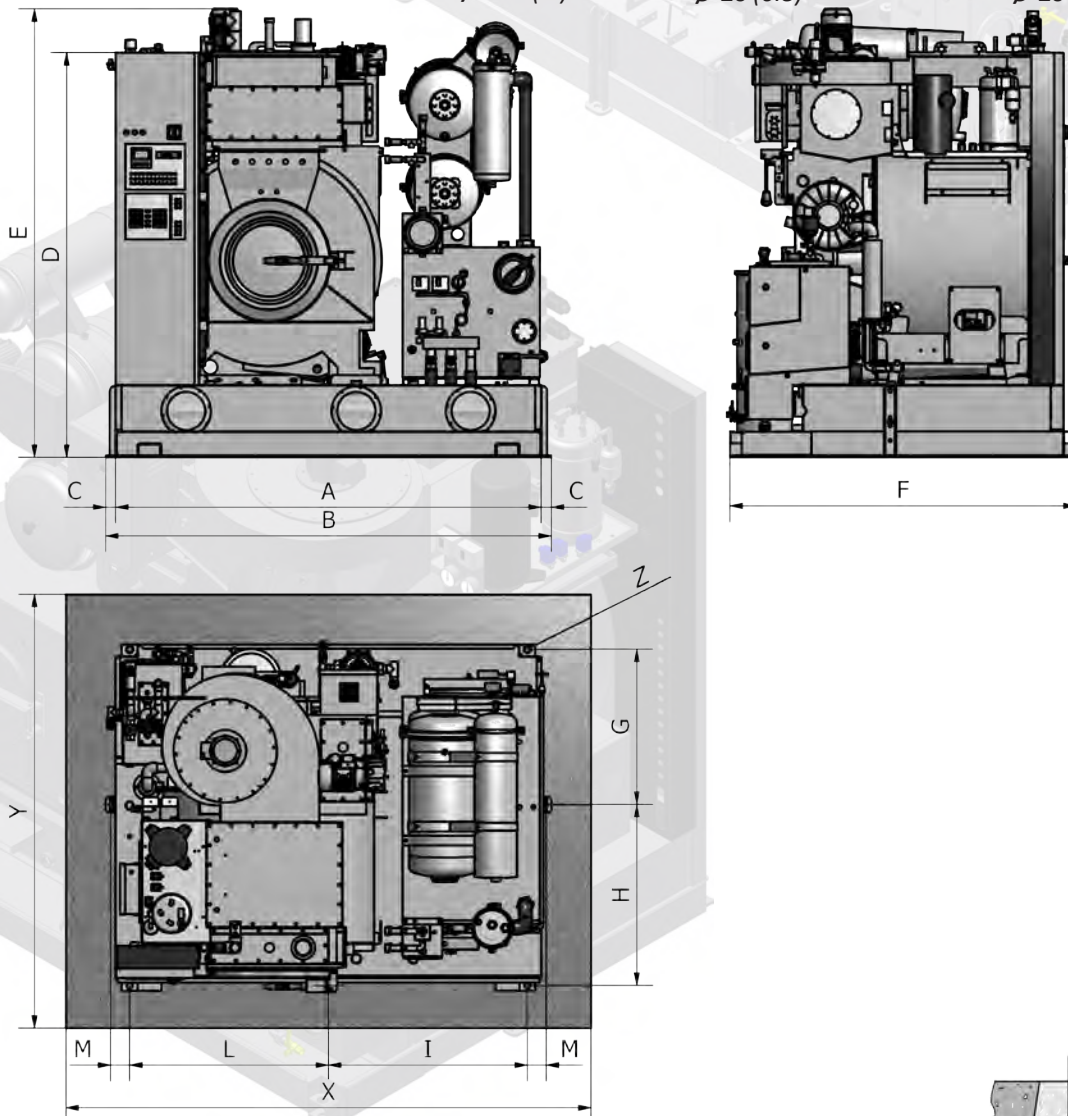
## KM 703

## KM 803

MACHINE CAPACITY	Kg (Lbs)	32 (75÷80)	40 (90÷95)
<b>DIMENSIONS</b>			
A	mm (in)	2360 (93)	2360 (93)
B	mm (in)	2480 (97.6)	2480 (97.6)
C	mm (in)	60 (2.4)	60 (2.4)
D	mm (in)	2345 (92.3)	2345 (92.3)
E	mm (in)	2580 (101.6)	2580 (101.6)
F	mm (in)	2025 (79.7)	2025 (79.7)

### FIXING POINTS

G	mm (in)	990 (39)	990 (39)
H	mm (in)	985 (38.8)	985 (38.8)
I	mm (in)	950 (37.4)	950 (37.4)
L	mm (in)	1250 (49.2)	1250 (49.2)
M	mm (in)	115 (4.5)	115 (4.5)
X	mm (in)	2800 (110.2)	2800 (110.2)
Y	mm (in)	2500 (98.4)	2500 (98.4)
Z	∅ mm (in)	∅ 20 (0.8)	∅ 20 (0.8)



The floor safety tank can be secured to the ground by means of through screws, reinforced with anchor bolts, heavy-duty pins or with expansion stay rods.

**KM 703**

**KM 803**

**MACHINE CAPACITY**

<b>Kg (Lbs)</b>	<b>32 (75÷80)</b>	<b>40 (90÷95)</b>
-----------------	-------------------	-------------------

**GENERAL INFORMATION**

Required water capacity	<b>Lt/min (gal/min)</b>	<b>10 (3)</b>	<b>10 (3)</b>
Required water pressure	<b>bar (psi)</b>	<b>2 ÷ 3 (29 ÷ 44)</b>	<b>3 ÷ 5 (44 ÷ 73)</b>
Required water temperature	<b>°C (°F)</b>	<b>18 ÷ 23 (64 ÷ 73)</b>	<b>18 ÷ 23 (64 ÷ 73)</b>
Required air pressure	<b>bar (psi)</b>	<b>7 ÷ 8 (100 ÷ 116)</b>	<b>7 ÷ 8 (100 ÷ 116)</b>
Required steam still / heater pressure	<b>bar (psi)</b>	<b>4 ÷ 5 (58 ÷ 73)</b>	<b>4 ÷ 5 (58 ÷ 73)</b>
Required steam still / heater pressure (SENSENE)	<b>bar (psi)</b>	<b>Max. 2 (29)</b>	<b>Max. 2 (29)</b>
Required steam still pressure (SOLVON K4)	<b>bar (psi)</b>	<b>2.5 (36)</b>	<b>2.5 (36)</b>
Required steam* availability	<b>Kg/h (Lbs/h)</b>	<b>100 (220)</b>	<b>100 (220)</b>

\* Relative values of dry saturated steam

**CONNECTIONS**

Compressed air inlet	<b>Ø</b>	<b>6 mm (¼")</b>	<b>6 mm (¼")</b>
Water inlet	<b>Ø</b>	<b>1"</b>	<b>1"</b>
Water outlet	<b>Ø</b>	<b>1"</b>	<b>1"</b>
Steam still inlet	<b>Ø</b>	<b>½"</b>	<b>½"</b>
Condensate still outlet	<b>Ø</b>	<b>½"</b>	<b>½"</b>
Steam heater inlet	<b>Ø</b>	<b>½"</b>	<b>½"</b>
Condensate heater outlet	<b>Ø</b>	<b>½"</b>	<b>½"</b>
Electric connection	-	-	-
Nitrogen feeding connection (N <sub>2</sub> )	-	-	-

**WEIGHTS**

Empty machine weight	<b>Kg (Lbs)</b>	<b>2840 (6260)</b>	<b>2950 (6503)</b>
Machine weight with solvent	<b>Kg (Lbs)</b>	<b>3620 (7980)</b>	<b>3730 (8223)</b>
Static charge on the floor with solvent	<b>Kg/m² (Lbs/ft²)</b>	<b>757 (155)</b>	<b>780 (160)</b>
Static+Dynamic charge on the floor (+10%)	<b>Kg/m² (Lbs/ft²)</b>	<b>1140 (234)</b>	<b>1242 (255)</b>

**ELECTRIC POWER**

		<b>400V - 50Hz</b>	<b>220V - 60Hz</b>	<b>400V - 50Hz</b>	<b>220V - 60Hz</b>
MAX. Installed power (electric version)	<b>kW</b>	-	-	-	-
MAX. Installed power (steam version)	<b>kW</b>	<b>17</b>	<b>19</b>	<b>17</b>	<b>19</b>
MAX. Dissipated heat	<b>Kcal</b>	-	-	-	-

**NOTE: Acoustic emission level of the machine is lower than 70 dB (A)**