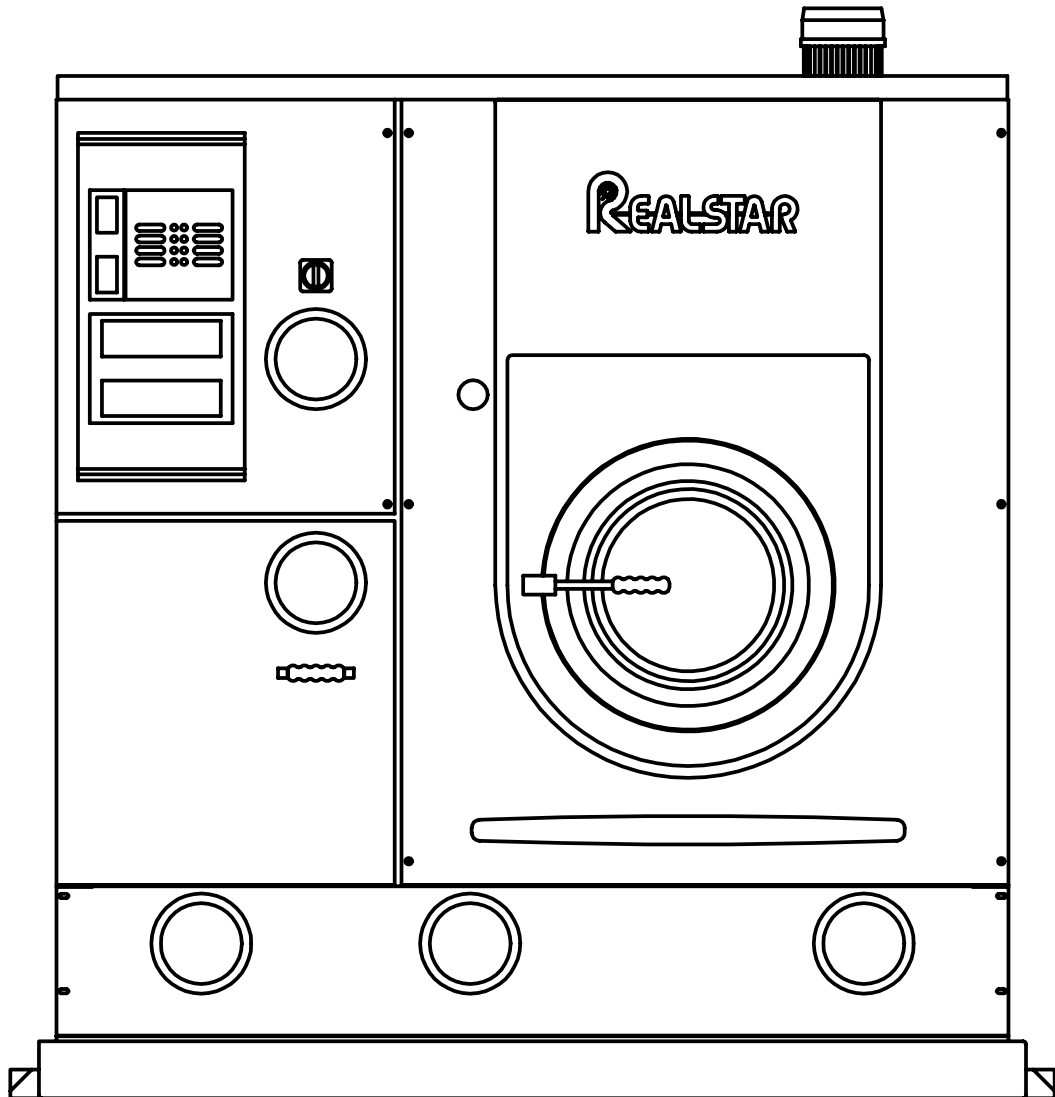




MACCHINE LAVASECCO - DRY CLEANING MACHINES

## TECHNICAL INFORMATION



# HSK340

<b>WORKING MACHINE WITH SOLVENT:</b>	<b>HYDROCARBON</b>	
<b>MACHINE CAPACITY</b> (RATIO 1:20)	Lbs	<b>40</b>

**BASKET**

Diameter	inches	<b>35.5</b>
Depth	inches	<b>21</b>
Volume	cu.ft	<b>90</b>
Wash speed	rpm	<b>20 ÷ 50</b>
Extract speed	rpm	<b>350 ÷ 800</b>
Door opening	inches	<b>19.7</b>

**SOLVENT TANKS**

Useful volume tank 1	gal	<b>32</b>
Useful volume tank 2	gal	<b>30</b>
Useful volume tank 3	gal	<b>62</b>
<b>FLOOR SAFETY TANK CAPACITY</b>	gal	<b>103</b>



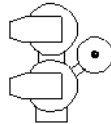
**DESTILLATOR**

Useful volume at half inspection	gal	<b>50.2</b>
Total volume	gal	<b>60.8</b>
Boiler water capacity	gal	<b>1.4</b>

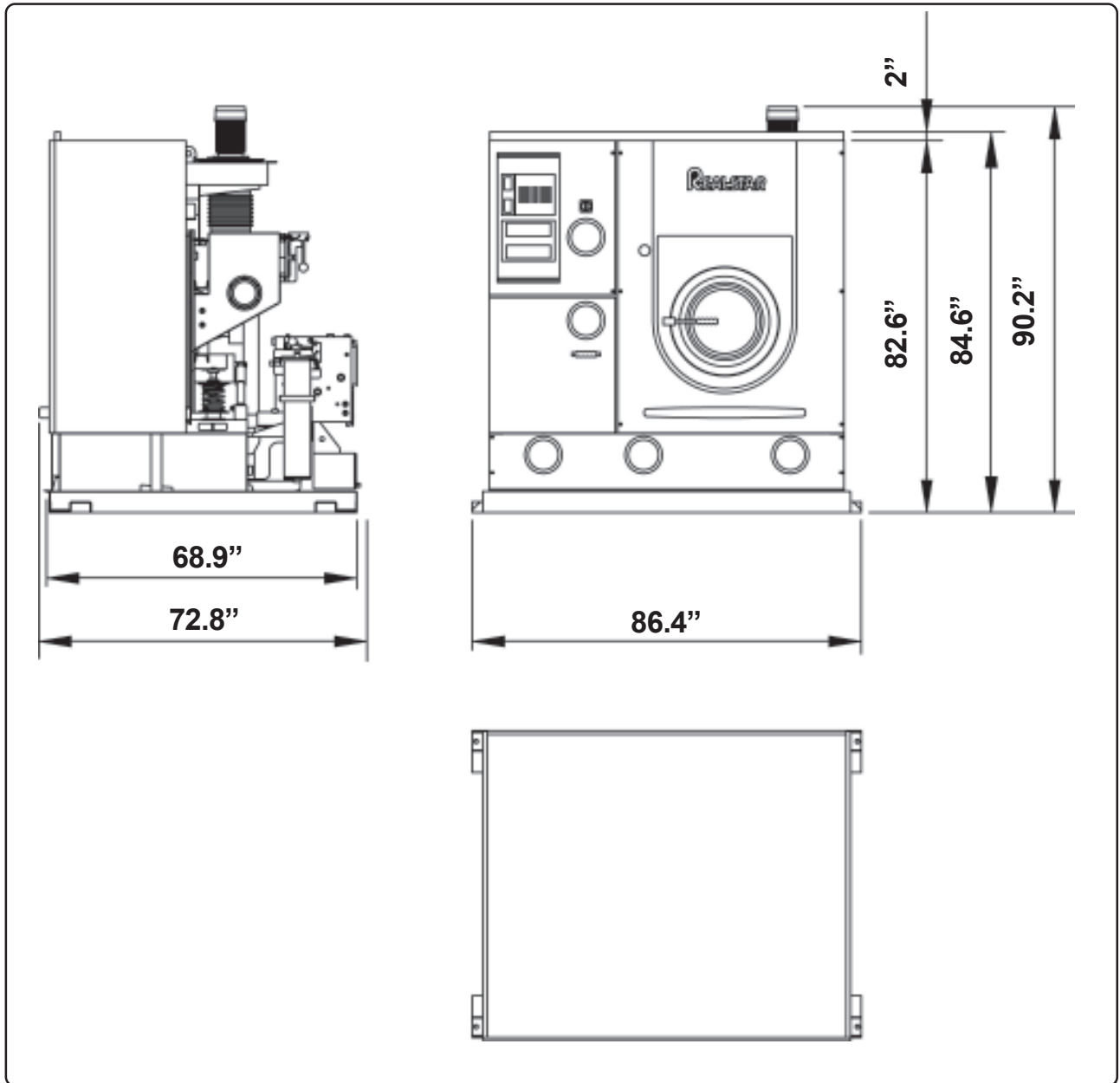
**ELECTRIC POWER**
**(220V - 3~60Hz)**

Wash motor - Extract motor	Hp	<b>4.5</b>	Kw	<b>3.38</b>
Solvent pump motor	Hp	<b>1</b>	Kw	<b>0.75</b>
Fan motor	Hp	<b>3</b>	Kw	<b>2.25</b>
Refrigerator compressor	Hp	<b>5</b>	Kw	<b>3.75</b>
Nylon filter motor	Hp	<b>0.75</b>	Kw	<b>0.55</b>
Vacuum pump motor	Hp	<b>3</b>	Kw	<b>2.2</b>
Still electric elements (electric version)	Hp	<b>-</b>	Kw	<b>9</b>
Heater electric elements (electric version)	Hp	<b>-</b>	Kw	<b>12</b>
Air motor compressor (Optional)	Hp	<b>0.5</b>	Kw	<b>0.37</b>

**NOTE: Acoustic emission level of the machine is lower than 70 dB (A)**

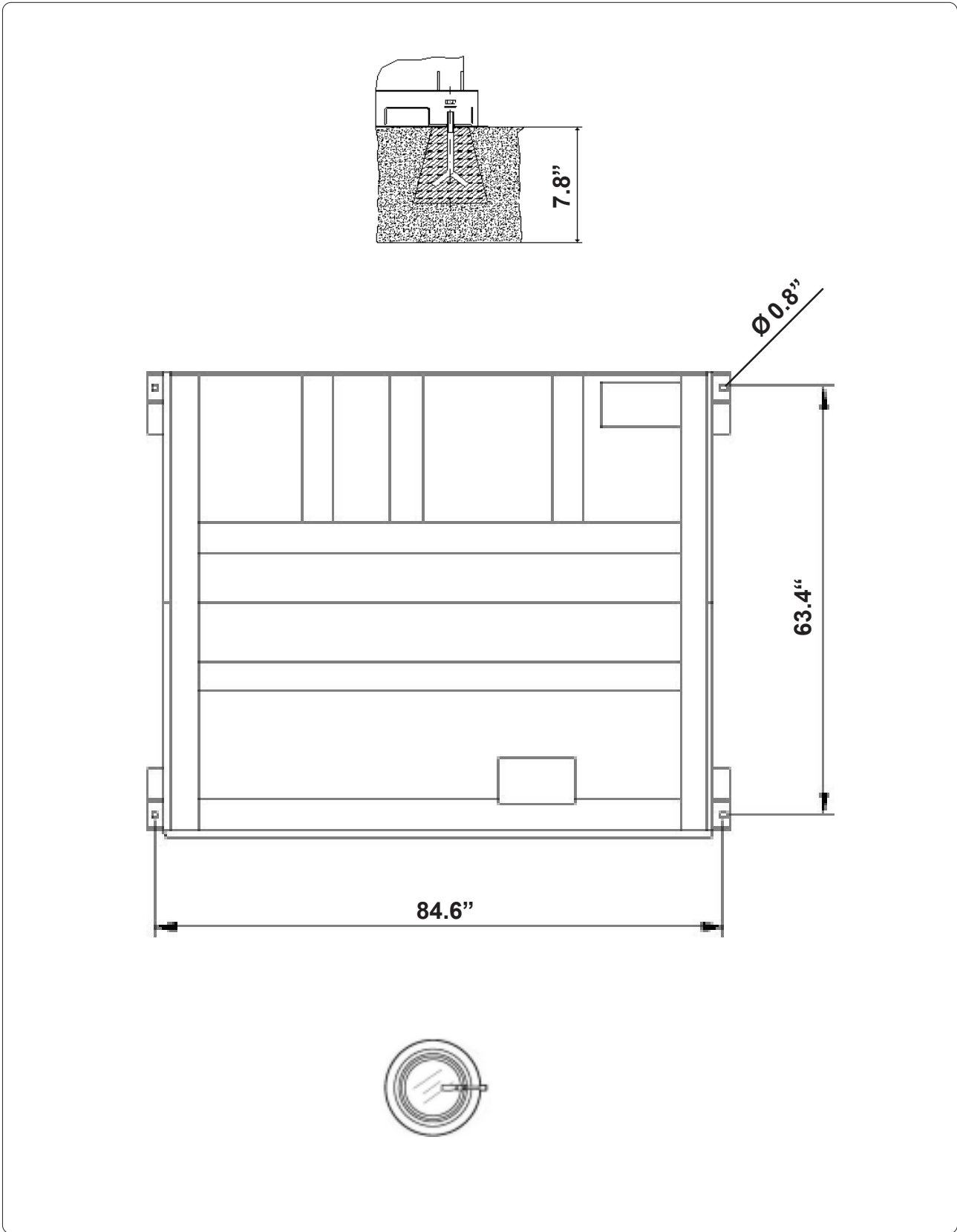
<b>FILTRATION AVAILABLE IN THIS MODEL</b>			
<b>Version</b>	<b>ONE NYLON FILTER AND ONE CARTRIDGE -KR FILTER</b>		
	Volume nylon filter housing	gal	14.5
	Nylon filter area	ft <sup>2</sup>	42
	Filter disks	nr	26
	Volume large cartridge housing	gal	14.5
	Area large cartridge	ft <sup>2</sup>	28 x 2 = 56
	Cartridge quantity	nr	2
<b>Version</b>	<b>ONE NYLON ONE CARTRIDGE -KR ONE DECOLORATING</b>		
	Volume nylon filter	gal	14.5
	Nylon filter area	ft <sup>2</sup>	42
	Filter disks	nr	26
	Volume large cartridge housing	gal	14.5
	Area large cartridge	ft <sup>2</sup>	28 x 2 = 56
	Cartridge quantity	nr	2
	Volume decolorating housing	gal	6.6
	Tubes	nr	1
	Cartridge quantity	nr	2
Decolorating carbon quantity	Lbs	8.8	
<b>Version</b>	<b>TWO NYLON FILTER AND ONE DECOLORATING FILTER</b>		
	Volume nylon filter housing	gal	14.5 x 2 = 29
	Nylon filter area	ft <sup>2</sup>	42 x 2 = 84
	Filter disks	nr	26 x 2 = 52
	Volume decolorating housing	gal	6.6
	Tubes	nr	1
	Cartridge quantity	nr	2
	Decolorating carbon quantity	Lbs	8.8

**DIMENSIONS AND WEIGHTS**

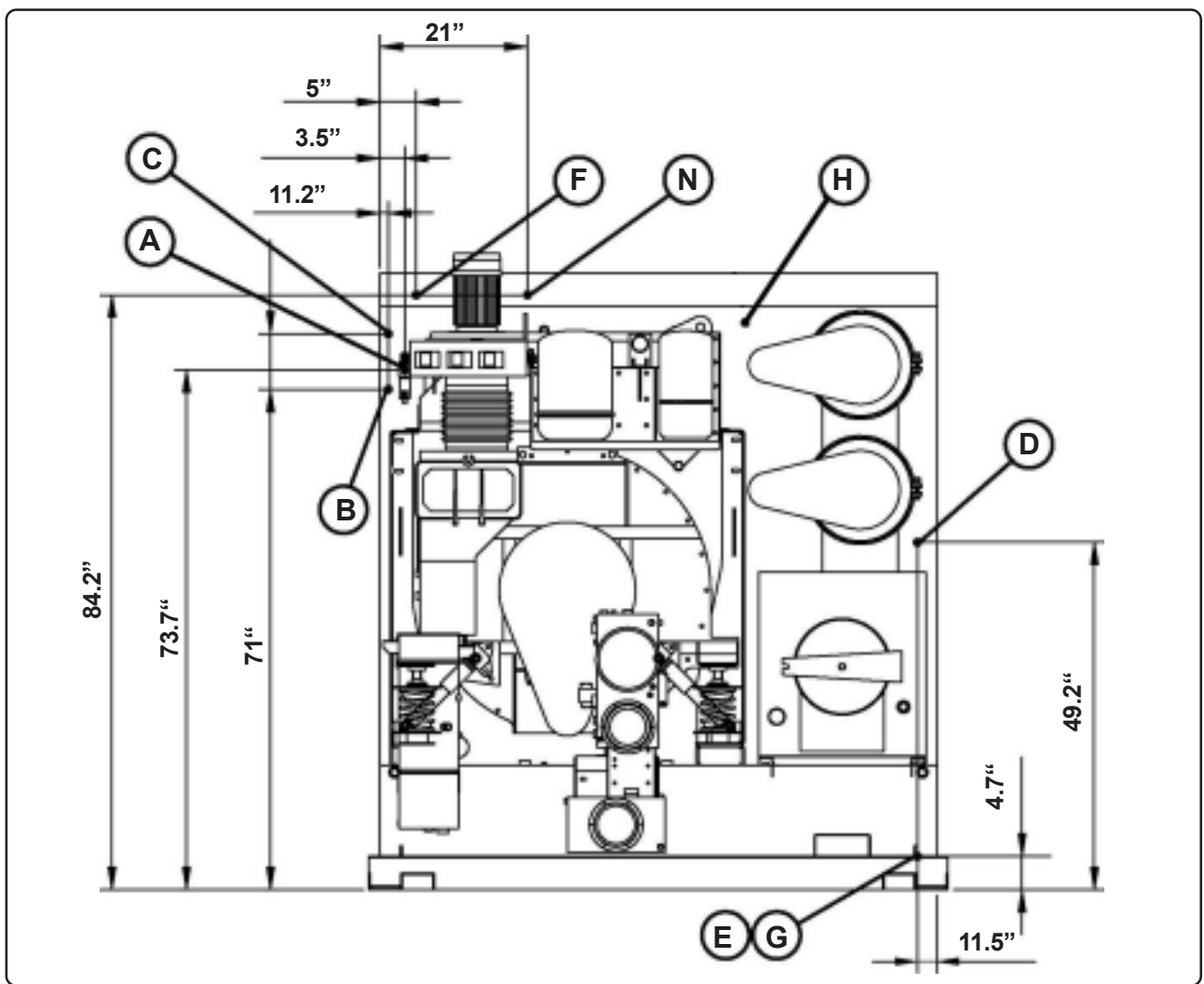


<b>CHARGES</b>		
Empty machine weight	<b>Lbs</b>	<b>5425</b>
Machine weight with solvent	<b>Lbs</b>	<b>6658</b>
Static charge on the floor with solvent	<b>Lbs/ft<sup>2</sup></b>	<b>170</b>
Dynamic charge on the floor (+10%)	<b>Lbs/ft<sup>2</sup></b>	<b>279</b>

**FIXING POINTS**



**CONNECTIONS**



A	Compressed air inlet	Ø 6 mm / 1/4"
B	Water inlet	Ø 1"
C	Water outlet	Ø 1"
D	Steam still inlet	Ø 1/2"
E	Condensate still outlet	Ø 1/2"
F	Steam heater inlet	Ø 1/2"
G	Condensate heater outlet	Ø 1/2"
H	Electric connection	
N	Nitrogen N2 connection	

SOLVENT TYPE		HYDROCARBON			
NECESSARY QUANTITY OF SOLVENT TO FILL THE MACHINE					
Machine Vers.	N°1 NYLON FILTER + N°1 CARTRIDGE-KR FILTER	gal	160	Lbs	1025
Machine Vers.	N°1 NYLON+N°1 CARTRIDGE-KR+N°1 DECOLORATING	gal	167	Lbs	1067
Machine Vers.	N°2 NYLON FILTER + N°1 DECOLORATING FILTER	gal	167	Lbs	1067

INFORMATION FOR THE ELECTRICAL CONNECTIONS (220V - 3~60Hz)				
ELECTRIC Version	Kw	33.5	Amp	124.5
STEAM Version	Kw	11.5	Amp	60.5

GENERAL INFORMATION		
Required water capacity	gal/min	2.5
Required water pressure	psi	40 ÷ 70
Required water temperature	°F	65 ÷ 73
Required air pressure	psi	100 ÷ 113
Required steam pressure (Steam Version)	psi	55 ÷ 70
Required steam availability (Steam Version)	Lbs/h	130
Boiler Requirement	BHP	2.5

*All technical data are subject to change without notice.*