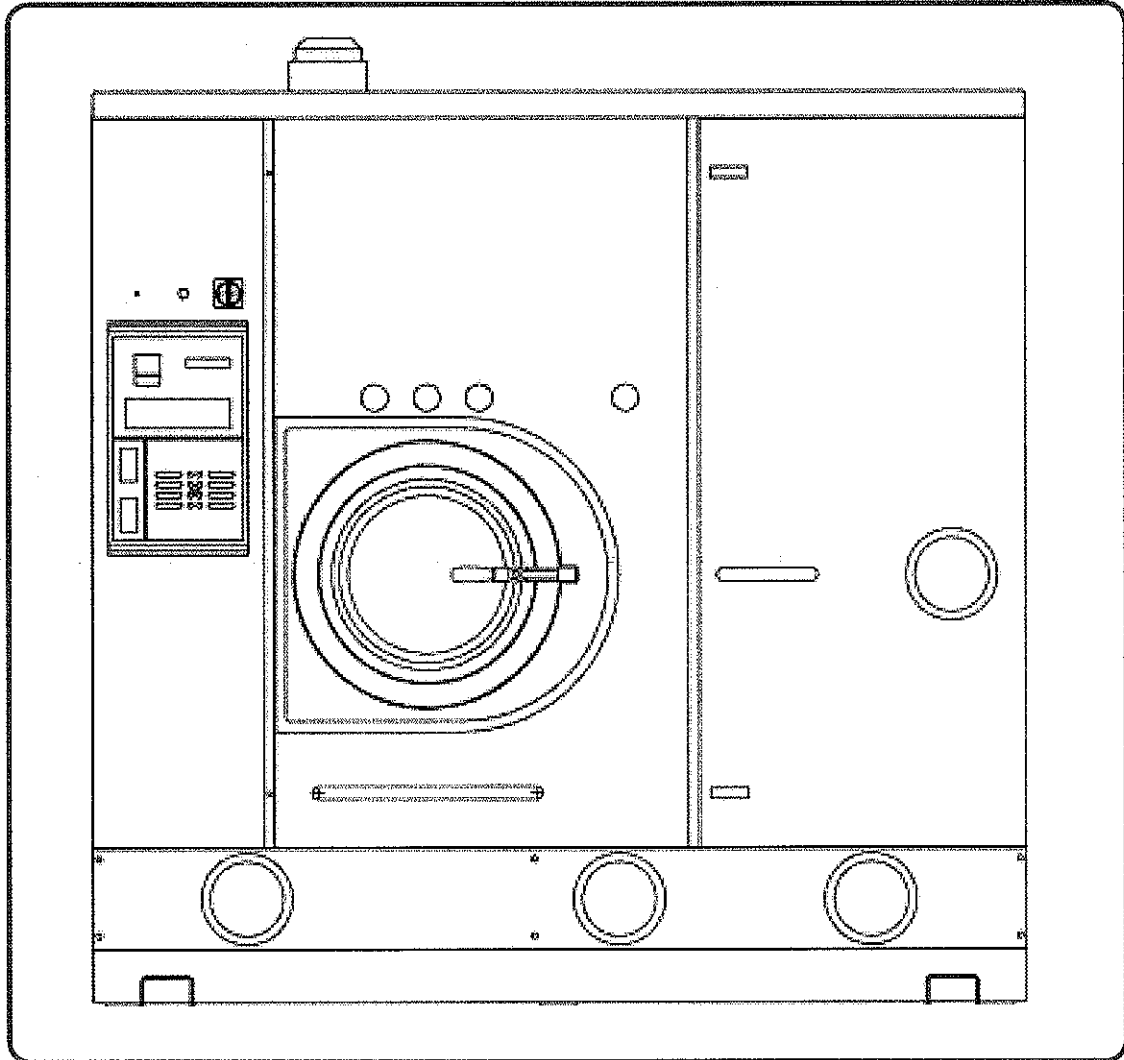




TECHNICAL INFORMATION



# M343

**SOLVENT TYPE**
**PERCHLORETHYLENE**
**MACHINE CAPACITY** (RATIO 1:20)
**Lbs 40**
**BASKET**

Diameter	inches	35.5
Depth	inches	21
Volume	Cu-Ft	12
Wash Speed	rpm	40
Extract Speed	rpm	400
Door Opening	inches	20

**SOLVENT TANKS**

Useful Volume Tank 1	gal	29
Useful Volume Tank 2	gal	29
Useful Volume Tank 3	gal	53

**FLOOR SAFETY TANK**

Floor Safety Tank Capacity	gal	95.1
----------------------------	-----	------

**DESTILLATOR**


Useful Volume at Half Inspection	gal	50
Total Volume	gal	60
Boiler Water Capacity	gal	1.3

**ELECTRIC POWER**
**( 220 V - 60 Hz )**


Wash Motor	hp	0.8	kW	0.58
Extract Motor	hp	3	kW	2.2
Solvent Pump Motor	hp	1	kW	0.75
Fan Motor	hp	3	kW	2.25
Refrigerator Compressor Motor	hp	5	kW	3.75
Air Compressor Motor	hp	0.5	kW	0.37
Nylon Filter Motor	hp	0.75	kW	0.55
Still Residue Pump Motor	hp	0.75	kW	0.55
Heater Electric Elements	hp		kW	6
Still Electric Elements	hp		kW	7.5
Exhaust Fan Motor	hp	0.18	kW	0.13
Air Clean Blower	hp	1	kW	0.75

**NOTE: Acoustic emission level of the machine is lower than 70 dB (A)**


**FILTRATION AVAILABLE IN THIS MODEL**
**Version - One Cartridge Filter KR**

	KR Cartridge Volume	gal	14.5
	KR Cartridge Area	ft <sup>2</sup>	28 x 2 = 56
	KR Cartridge Quantity	nr	2


**Version - One Nylon Filter**

	Nylon Filter Volume	gal	14.5
	Nylon Filter Area	ft <sup>2</sup>	42
	Filter Disks	nr	26

**Version - One Nylon Filter and One Cartridge Filter KR**

	Nylon Filter Volume	gal	14.5
	Nylon Filter Area	ft <sup>2</sup>	42
	Filter Disks	nr	26
	KR Cartridge Volume	gal	14.5
	KR Cartridge Area	ft <sup>2</sup>	28 x 2 = 56
	KR Cartridge Quantity	nr	2

**Version - Two Nylon Filters**

	Nylon Filter Volume	gal	14.5 x 2 = 29
	Nylon Filter Area	ft <sup>2</sup>	42 x 2 = 84
	Filter Disks	nr	26 x 2 = 52

**FILTRATION AVAILABLE IN THIS MODEL**
**Version - Two Cartridge Filters KR**

	KR Cartridge Volume	gal	14.5 x 2 = 29
	KR Cartridge Area	ft <sup>2</sup>	28 x 4 = 112
	KR Cartridge Quantity	nr	2 x 2 = 4


**Version - One Nylon Filter and One Deco Filter PR**


	Nylon Filter Volume	gal	14.5
	Nylon Filter Area	ft <sup>2</sup>	42
	Filter Disks	nr	26
	PR Deco Filter Volume	gal	6.6
	PR Cartridge Quantity	nr	1
	PR Decolorating carbon Quantity	Lbs	4.4

**Version - One Nylon Filter-One Cartridge Filter KR-One Deco Filter PR**

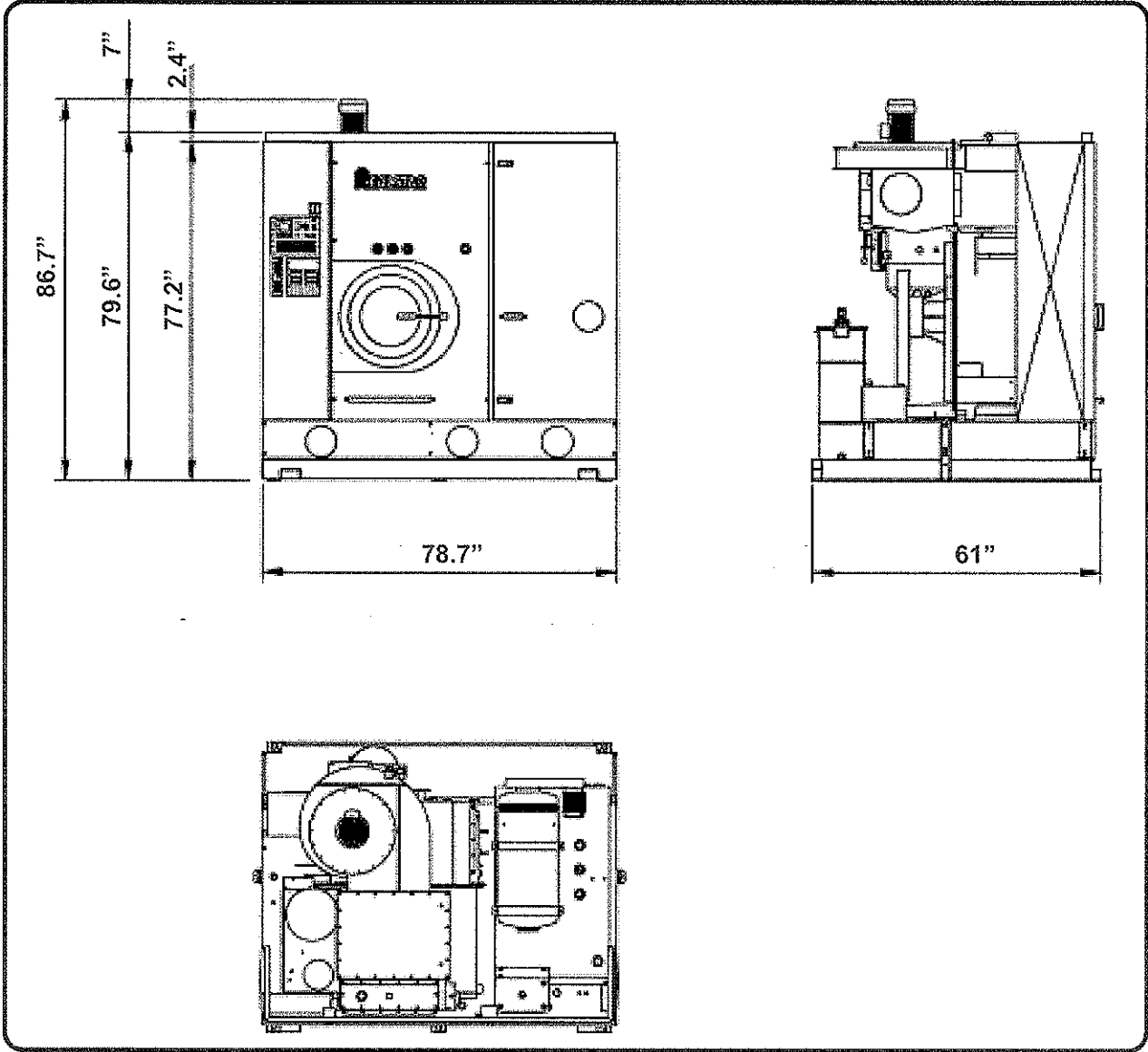
	Nylon Filter Volume	gal	14.5
	Nylon Filter Area	ft <sup>2</sup>	42
	Filter Disks	nr	26
	KR Cartridge Volume	gal	14.5
	KR Cartridge Area	ft <sup>2</sup>	28 x 2 = 56
	KR Cartridge Quantity	nr	2
	PR Deco Filter Volume	gal	6.6
	PR Cartridge Quantity	nr	1
	PR Decolorating carbon Quantity	Lbs	4.4

**FILTRATION AVAILABLE IN THIS MODEL**

<b>Version - Two Nylon Filters and One Deco Filter PR</b>			
	Nylon Filter Volume	gal	14.5 x 2 = 29
	Nylon Filter Area	ft <sup>2</sup>	42 x 2 = 84
	Filter Disks	nr	26 x 2 = 52
	PR Deco Filter Volume	gal	6.6
	PR Cartridge Quantity	nr	1
	PR Decolorating carbon Quantity	Lbs	4.4

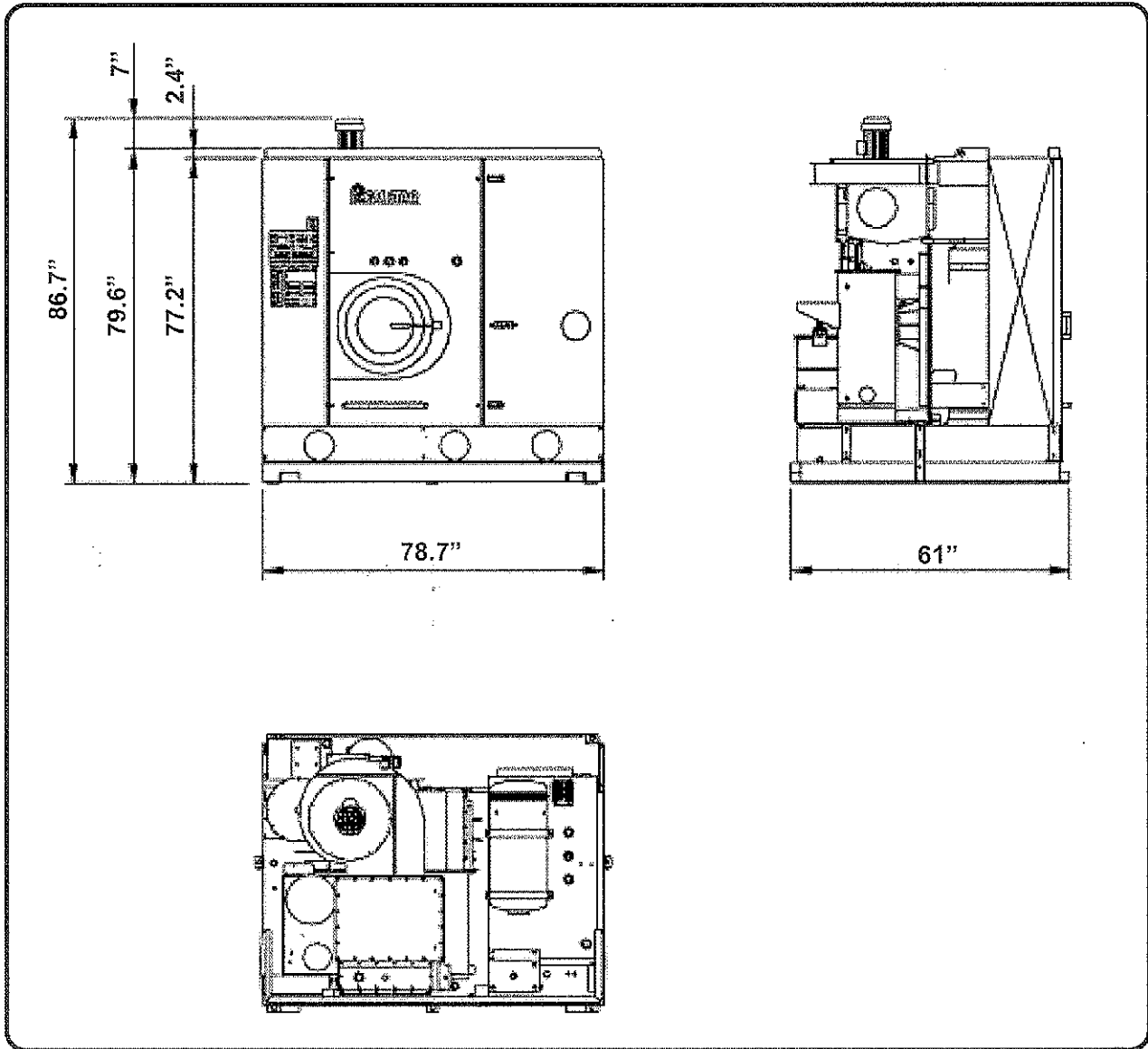
<b>Version - Two Nylon Filters and Two Deco Filters PR</b>			
	Nylon Filter Volume	gal	14.5 x 2 = 29
	Nylon Filter Area	ft <sup>2</sup>	42 x 2 = 84
	Filter Disks	nr	26 x 2 = 52
	PR Deco Filter Volume	gal	6.6 x 2 = 13.2
	PR Cartridge Quantity	nr	1 x 2 = 2
	PR Decolorating carbon Quantity	Lbs	4.4 x 2 = 8.8

**Dimensions and weight - ULTRA Version**



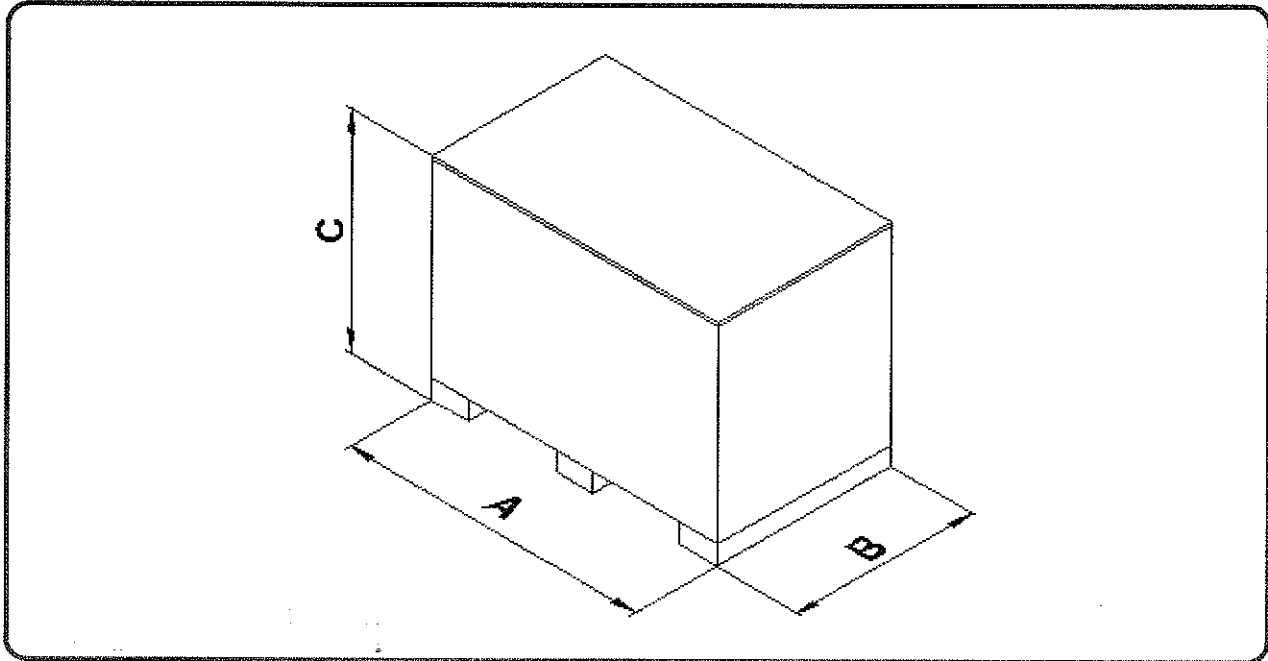
<b>CHARGES</b>		
Empty machine weight	Lbs	6260
Machine weight with solvent	Lbs	10000
Static charge on the floor with solvent	Lbs/ft <sup>2</sup>	195
Dynamic charge on the floor ( + 10 % )	Lbs/ft <sup>2</sup>	259

**Dimensions and weight - ULTRA DIAMOND Version**



<b>CHARGES</b>		
Empty machine weight	Lbs	7075
Machine weight with solvent	Lbs	10815
Static charge on the floor with solvent	Lbs/ft <sup>2</sup>	211
Dynamic charge on the floor ( + 10 % )	Lbs/ft <sup>2</sup>	276

**PACKAGED MACHINE DIMENSIONS AND WEIGHTS**

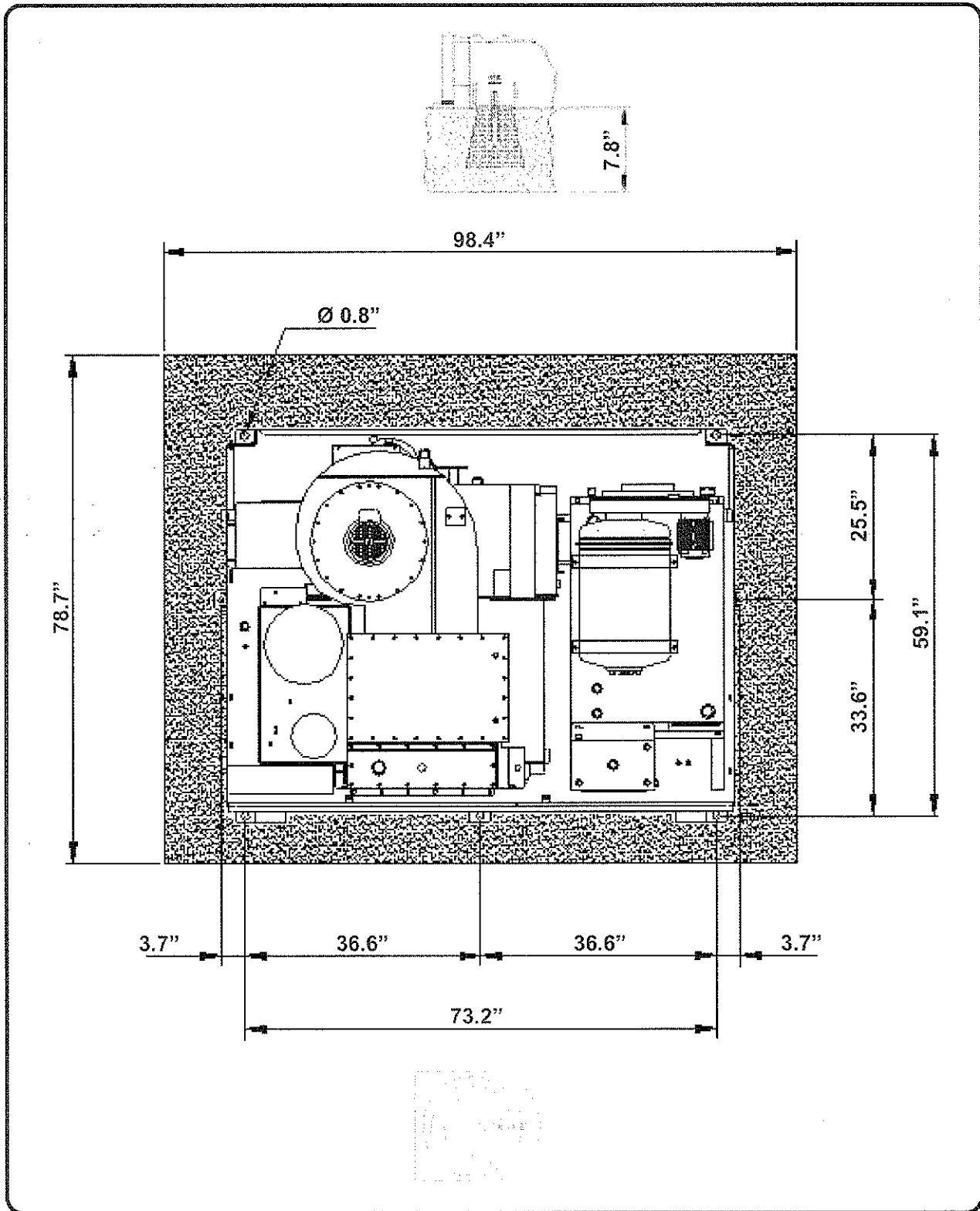


PACKAGED MACHINE DIMENSIONS				
Machine Type		Carton	Wooden cage	Wooden case
M 343 ULTRA	A	82.68 inches	-	-
	B	66.14 inches	-	-
	C	95.52 inches	-	-
M 343 ULTRA DIAMOND	A	82.68 inches	-	-
	B	66.14 inches	-	-
	C	95.52 inches	-	-

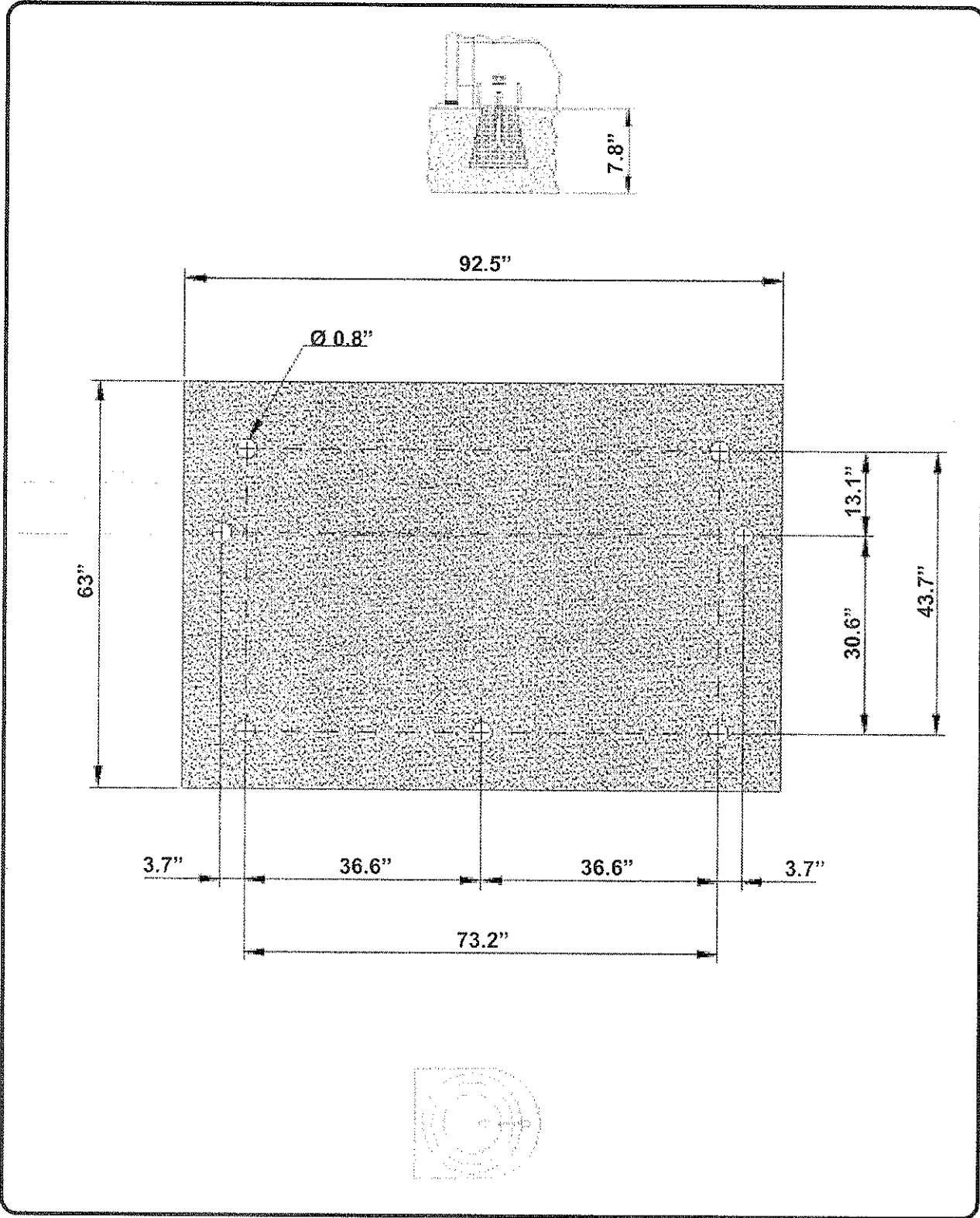
PACKAGED MACHINE WEIGHTS			
Machine Type	Carton	Wooden cage	Wooden case
M 343 ULTRA	6655 Lbs	-	-
M 343 ULTRA DIAMOND	7457 Lbs	-	-



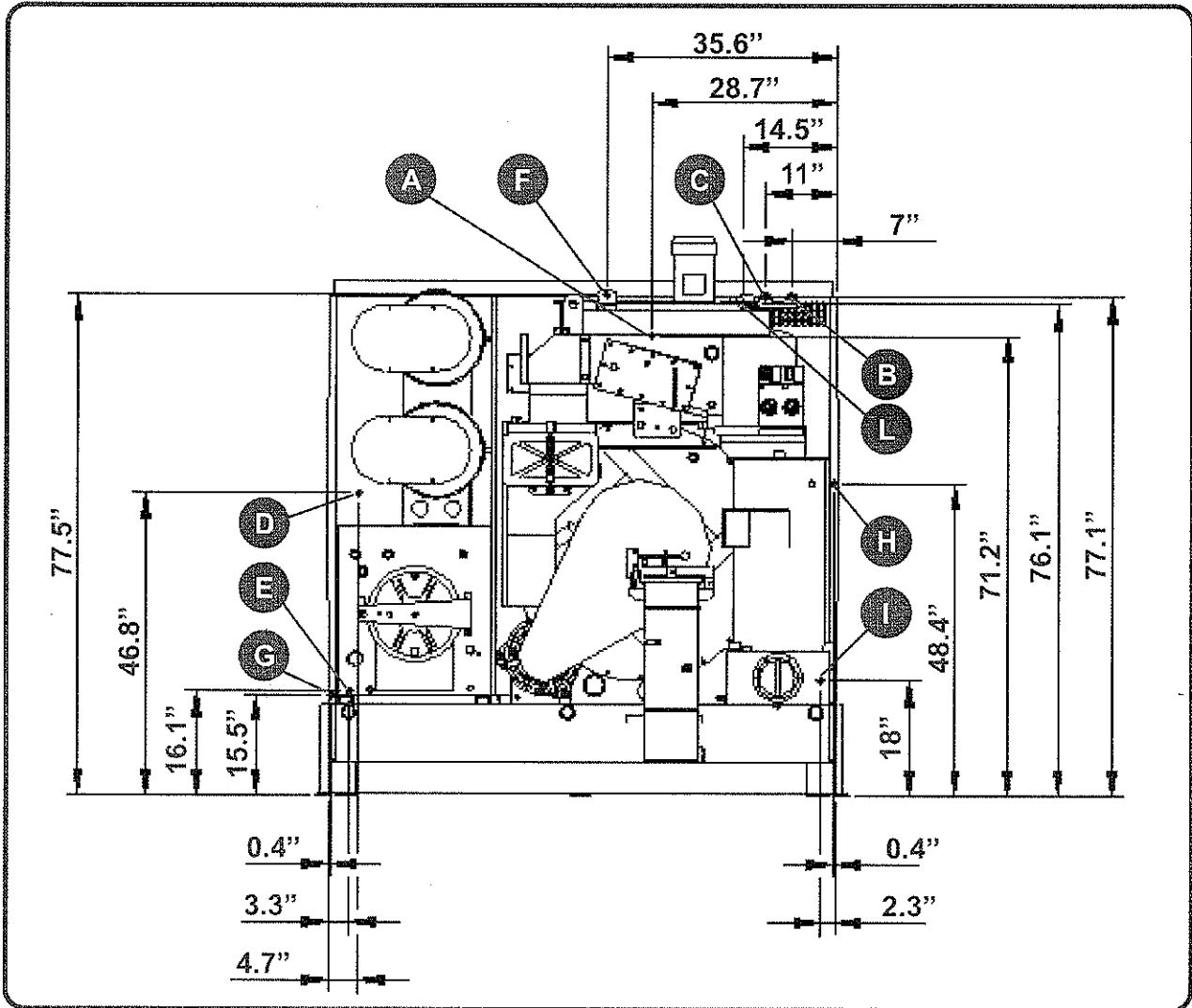
FIXING POINTS - WITH SAFETY TANK



FIXING POINTS - WITHOUT SAFETY TANK



**CONNECTIONS**



A	Compressed air inlet	mm 4
B	Water inlet	Ø 3/4"
C	Water outlet	Ø 3/4"
D	Steam still inlet	Ø 1/2"
E	Condensate still outlet	Ø 1/2"
F	Steam heater inlet	Ø 1/2"
G	Condensate heater outlet	Ø 1/2"
H	Steam Air Clean inlet	Ø 1/2"
I	Condensate Air Clean outlet	Ø 1/2"
L	Electric connection	

SOLVENT TYPE	PERCHLORETHYLENE			
<b>NECESSARY QUANTITY OF SOLVENT TO FILL THE MACHINE</b>				
Machine Version - 1 Cartridge Filter KR	gal	125.5	Lbs	1676
Machine Version - One Nylon Filter	gal	125.5	Lbs	1676
Machine Version - 1 Nylon Filter and 1 Cartridge Filter KR	gal	140	Lbs	1870
Machine Version - 2 Nylon Filters	gal	140	Lbs	1870
Machine Version - 2 Cartridge Filters KR	gal	140	Lbs	1870
Machine Version - 1 Nylon Filter and 1 Deco Filter PR	gal	129	Lbs	1722
Machine Version - 1 Nylon Filter - 1 Filter KR - 1 Filter PR	gal	143.5	Lbs	1916
Machine Version - 2 Nylon Filters and 1 Deco Filter PR	gal	143.5	Lbs	1916
Machine Version - 2 Nylon Filters and 2 Deco Filters PR	gal	147	Lbs	1962

<b>INFORMATION FOR THE ELECTRICAL CONNECTIONS</b>					( 220 V - 60 Hz )
ELECTRIC Version with DHP	kW	-	Amp	-	
ELECTRIC Version without DHP	kW	-	Amp	-	
Dissipated Heat - ELECTRIC Version with DHP	kW/h	-	Kcal	-	
Dissipated Heat - ELECTRIC Version without DHP	kW/h	-	Kcal	-	
STEAM Version	kW	7.5	Amp	52	
Dissipated Heat - STEAM Version	kW/h	1.58	Kcal	1354	

<b>GENERAL INFORMATION</b>		
Required water capacity	gal/min	3
Required water pressure	psi	40 ÷ 70
Required water temperature	°F	69° ÷ 70°
Required air pressure	psi	110 ÷ 115
Required steam pressure (Steam Version)	psi	55 ÷ 70
Required steam availability (Steam Version)	Lbs/h	132

