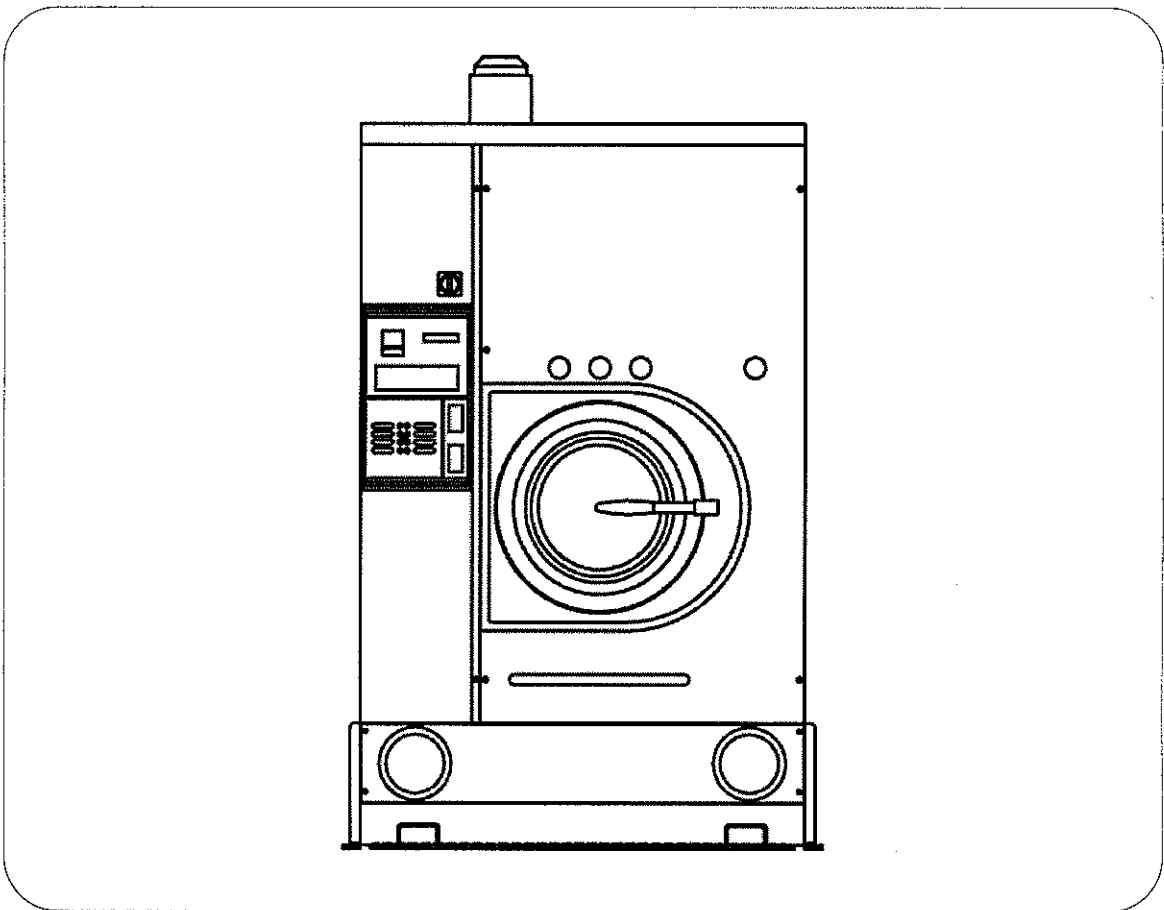




TECHNICAL INFORMATION



KT343



WORKING MACHINE WITH SOLVENT:	HYDROCARBON / GREEN EARTH	
MACHINE CAPACITY (RATIO 1:20)	Lbs	40

BASKET

Diameter	inches	35.5
Depth	inches	21
Volume	gal	90
Wash speed	rpm	12 ÷ 50
Extract speed	rpm	300 ÷ 540
Door opening	inches	20

SOLVENT TANKS

Useful volume tank 1	gal	25
Useful volume tank 2	gal	39.5

FLOOR SAFETY TANK CAPACITY	gal	83
-----------------------------------	-----	----

DESTILLATOR



Useful volume at half inspection	gal	50.2
Total volume	gal	59.4
Boiler water capacity	gal	4

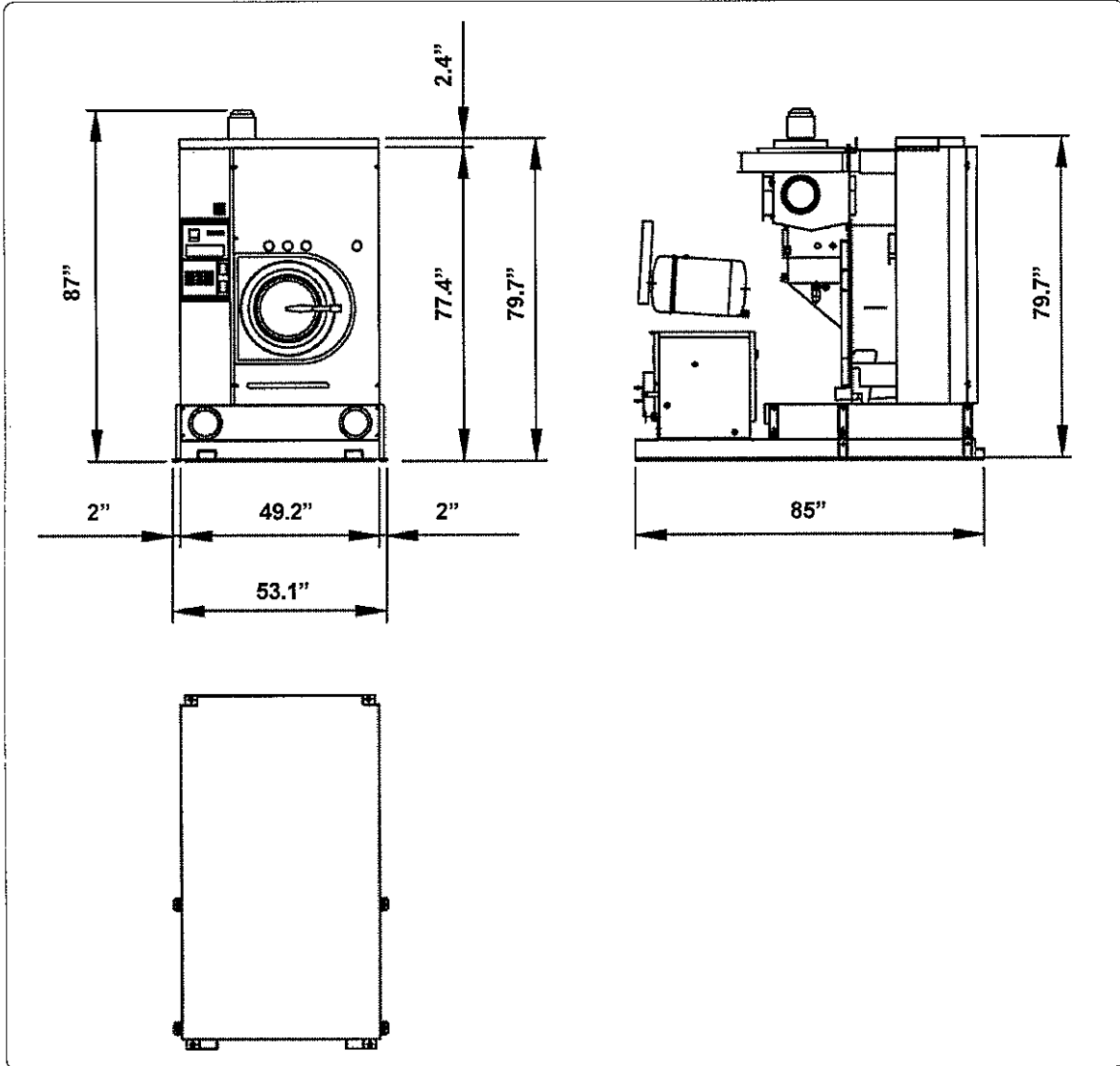
ELECTRIC POWER

(220V - 60 Hz)

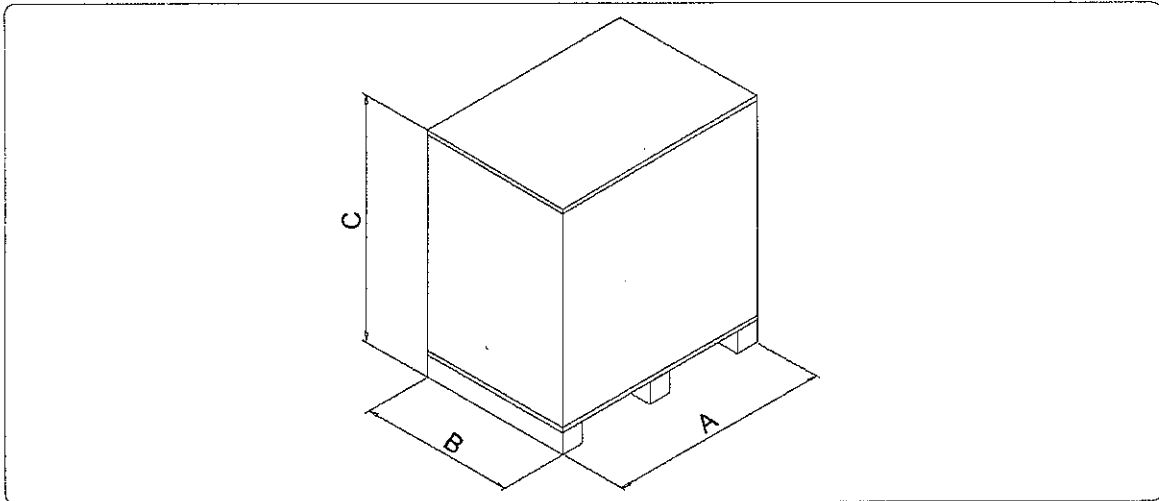
Wash motor - Extract motor (with Inverter)	Hp	4.7	Kw	3.5
Solvent pump motor	Hp	1	Kw	0.75
Fan motor	Hp	3	Kw	2.25
Refrigerator compressor	Hp	5	Kw	3.75
Nylon filter motor	Hp	0.75	Kw	0.55
Vacuum pump motor	Hp	0.5	Kw	0.38
Still electric elements	Hp		Kw	12
Heater electric elements	Hp		Kw	12
Air motor compressor	Hp	0.5	Kw	0.37
	Hp		Kw	
	Hp	-	Kw	-

NOTE: Acoustic emission level of the machine is lower than 70 dB (A)

FILTRATION AVAILABLE IN THIS MODEL			
Version	ONE NYLON FILTER		
	Volume nylon filter housing	gal	14.5
	Nylon filter area	ft ²	42
	Filter disks	nr	26
Version	ONE NYLON FILTER AND ONE DECOLORATING FILTER		
	Volume nylon filter housing	gal	14.5
	Nylon filter area	ft ²	42
	Filter disks	nr	26
	Decolorating housing volume	gal	3.5
	Decolorating cartridges	nr	1
	Decolorating cabon quantity	Lbs	4.4

DIMENSIONS AND WEIGHTS


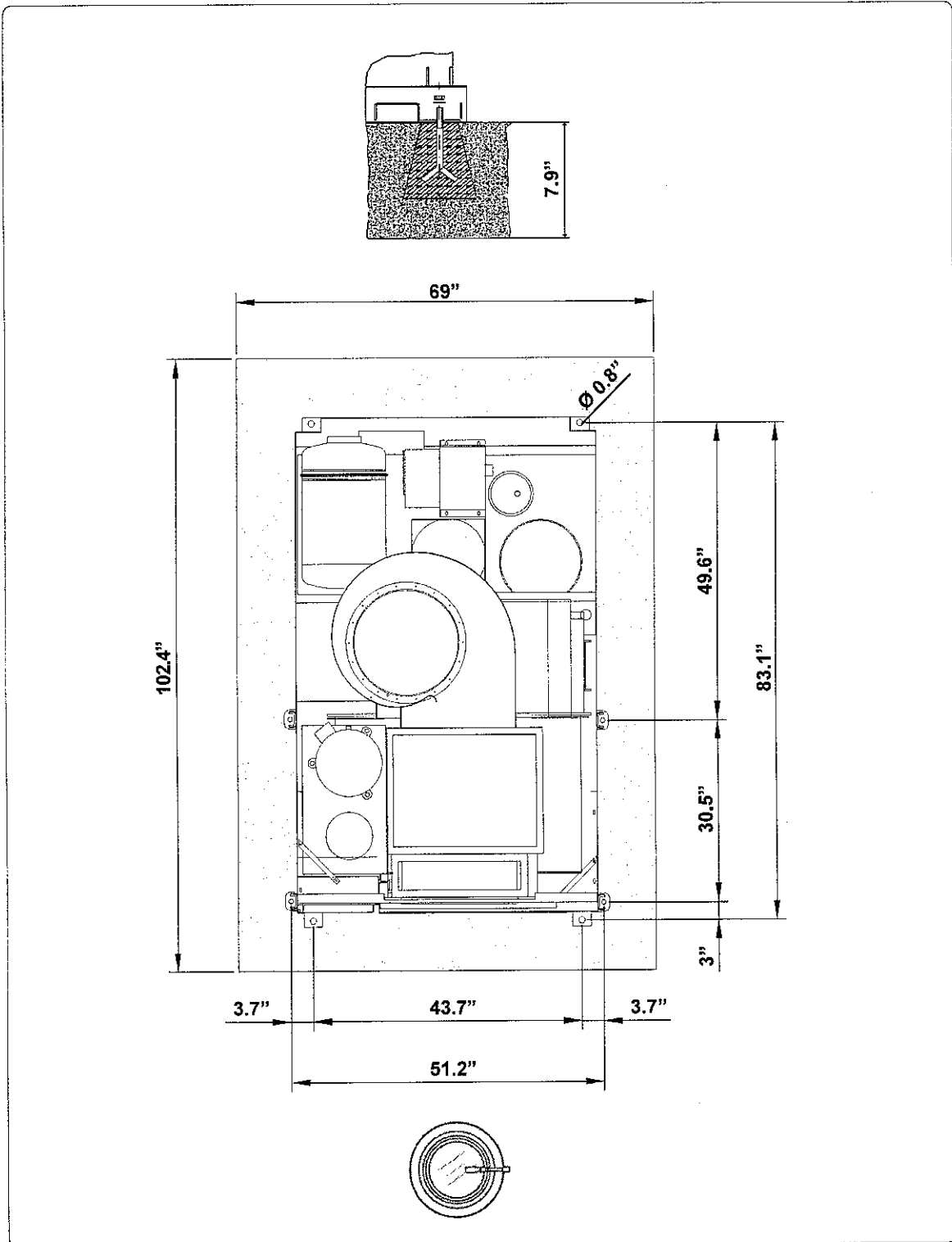
CHARGES		
Empty machine weight	Lbs	3728
Machine weight with solvent	Lbs	4264
Static charge on the floor with solvent	Lbs/ft²	147
Dynamic charge on the floor (+10%)	Lbs/ft²	229

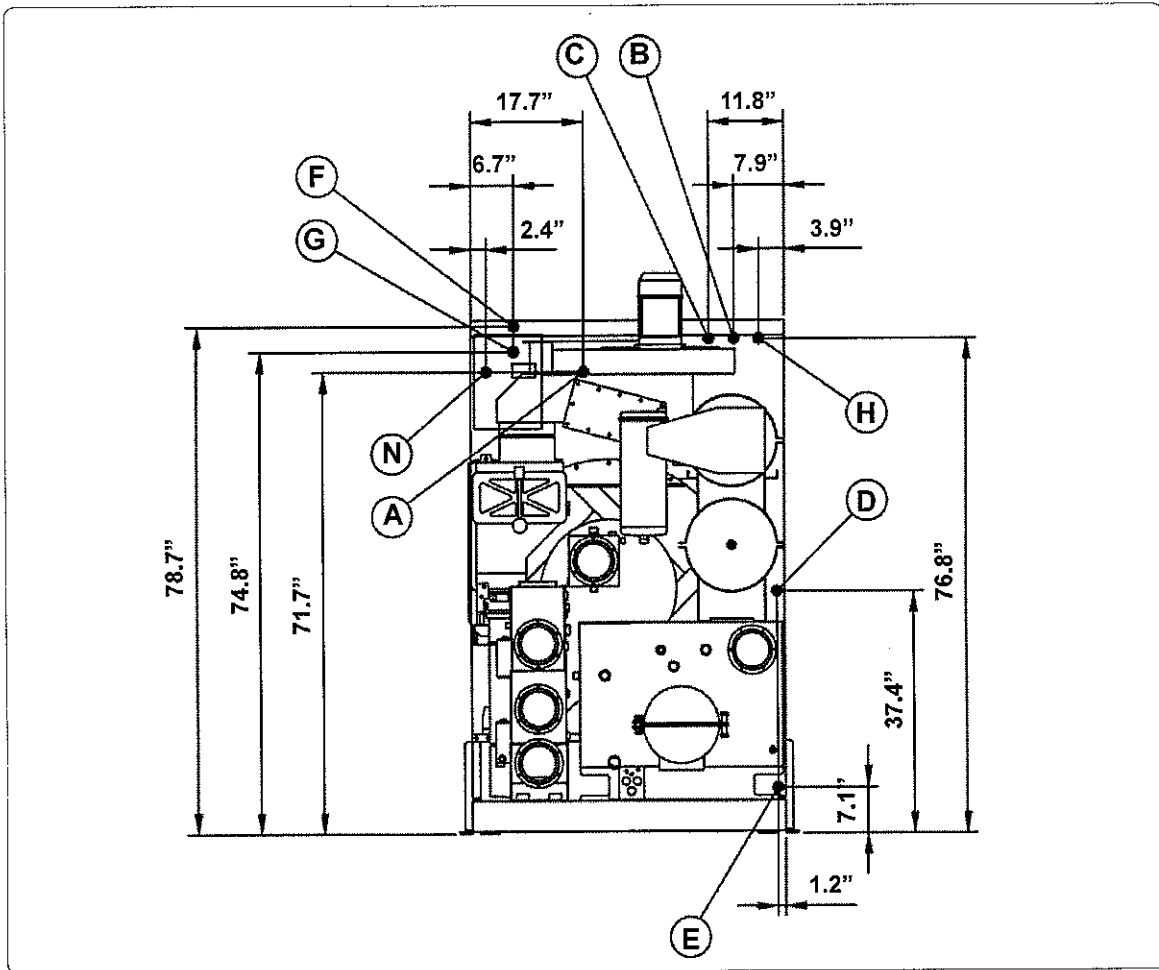
PACKAGED MACHINE DIMENSIONS AND WEIGHTS


PACKAGED MACHINE DIMENSIONS				
Machine type		Carton	Wooden cage	Wooden case
Standard	A		inches 89.8	
	B		inches 60.6	
	C		inches 95.5	

PACKAGED MACHINE WEIGHTS				
Machine type		Carton	Wooden cage	Wooden case
Standard			Lbs 4123	

FIXING POINTS



CONNECTIONS


A	Compressed air inlet	Ø 6 mm / Ø 1/4"
B	Water inlet	Ø 1"
C	Water outlet	Ø 1"
D	Steam still inlet	Ø 1/2"
E	Condensate still outlet	Ø 1/2"
F	Steam heater inlet	Ø 1/2"
G	Condensate heater outlet	Ø 1/2"
H	Electric connection	
N	Nitrogen feeding connection (N ₂)	

**USEFUL INSTALLATION INFORMATION** **KT343**

SOLVENT TYPE		HYDROCARBON/ GREEN EARTH/SOLVON K4			
NECESSARY QUANTITY OF SOLVENT TO FILL THE MACHINE					
Machine Version - 03	gal	79.3	Lbs	510	
Machine Version - 08	gal	82.7	Lbs	529	

INFORMATION FOR THE ELECTRICAL CONNECTIONS (220V - 60Hz)				
ELECTRIC Version	Kw	-	Amp	-
STEAM Version	Kw	9.5	Amp	46.5
Dissipated heat			Kcal	-

GENERAL INFORMATION		
Required water capacity	gal/min	3
Required water pressure	PSI	29 ÷ 44
Required water temperature	°F	65 ÷ 70
Required air pressure	PSI	100 ÷ 115
Required steam still pressure (Steam Version)	PSI	45 ÷
Required steam heater pressure (Steam Version)	PSI	55 ÷ 72
Required steam* availability (Steam Version)	Lbs/h	132

*Relative values of dry saturated steam.

All technical data are subject to change without notice.