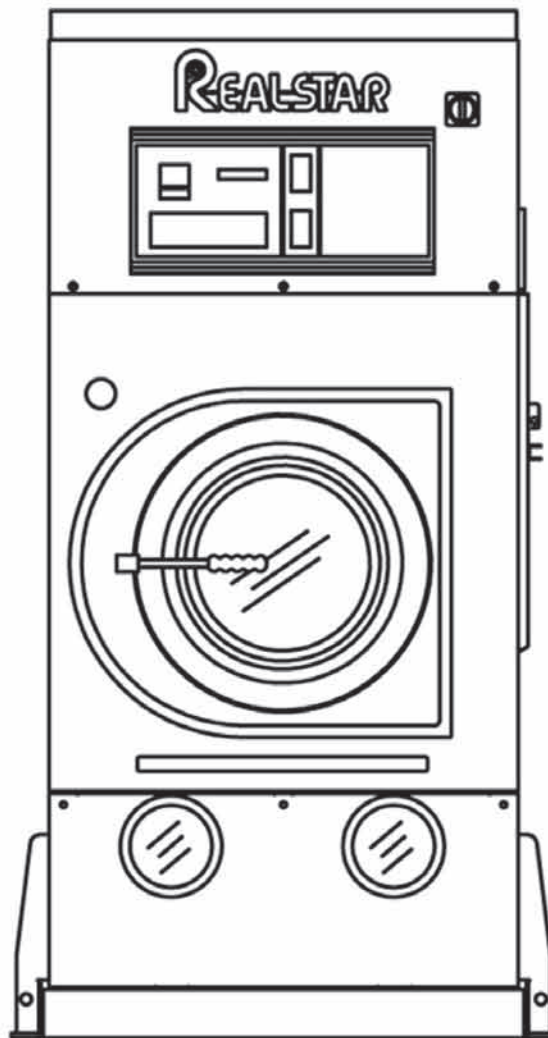




MACCHINE LAVASECCO - DRY CLEANING MACHINES

TECHNICAL INFORMATION



KT 215

WORKING MACHINE WITH SOLVENT	HYDROCARBON	
MACHINE CAPACITY	15 Kg	35 Lbs

BASKET		
Diameter	800 mm	<i>31.5 inches</i>
Depth	560 mm	<i>22 inches</i>
Volume	285 Lt	<i>10.1 cu.ft</i>
Wash speed	20 ÷ 55 rpm	
Extract speed	300 ÷ 500 rpm	
Door opening	500 mm	<i>19.7 inches</i>

SOLVENT TANKS		
Useful volume tank 1	105 Lt	<i>28 gal</i>
Useful volume tank 2	105 Lt	<i>28 gal</i>
Useful volume tank 3	-	-
FLOOR SAFETY TANK CAPACITY	200 Lt	<i>52.8 gal</i>


STILL		
Useful volume at half inspection	144 Lt	<i>38 gal</i>
Total volume	164 Lt	<i>43.3 gal</i>
Boiler water capacity	4 Lt	<i>1.1 gal</i>


ELECTRIC POWER	400 V - 50HZ		220 V - 60HZ	
Wash - Extract (With Inverter)	*0.8÷4 Hp	*0.6÷3 Kw	<i>*0.8÷4 Hp</i>	<i>*0.6÷3 Kw</i>
Solvent pump motor	0.75 Hp	0.55 Kw	<i>0.75 Hp</i>	<i>0.55 Kw</i>
Fan motor	2 Hp	1.5 Kw	<i>2 Hp</i>	<i>1.5 Kw</i>
Refrigerator compressor (Bristoll)	3.35 Hp	2.5 Kw	<i>3.35 Hp</i>	<i>2.5 Kw</i>
Nylon filter motor	0.75 Hp	0.55 Kw	<i>0.75 Hp</i>	<i>0.55 Kw</i>
Vacuum pump motor	0.5 Hp	0.38 Kw	<i>0.5 Hp</i>	<i>0.38 Kw</i>
Still electric elements	-	10.5 Kw	-	<i>10.5 Kw</i>
Air motor compressor (optional)	0.5 Hp	0.38 Kw	-	-


* POWER CHANGES ACCORDINGLY TO THE USE OF THE MACHINE


NOTE: Acoustic emission level of the machine is lower than 70 dB (A)

FILTRATION AVAILABLE IN THIS MODEL

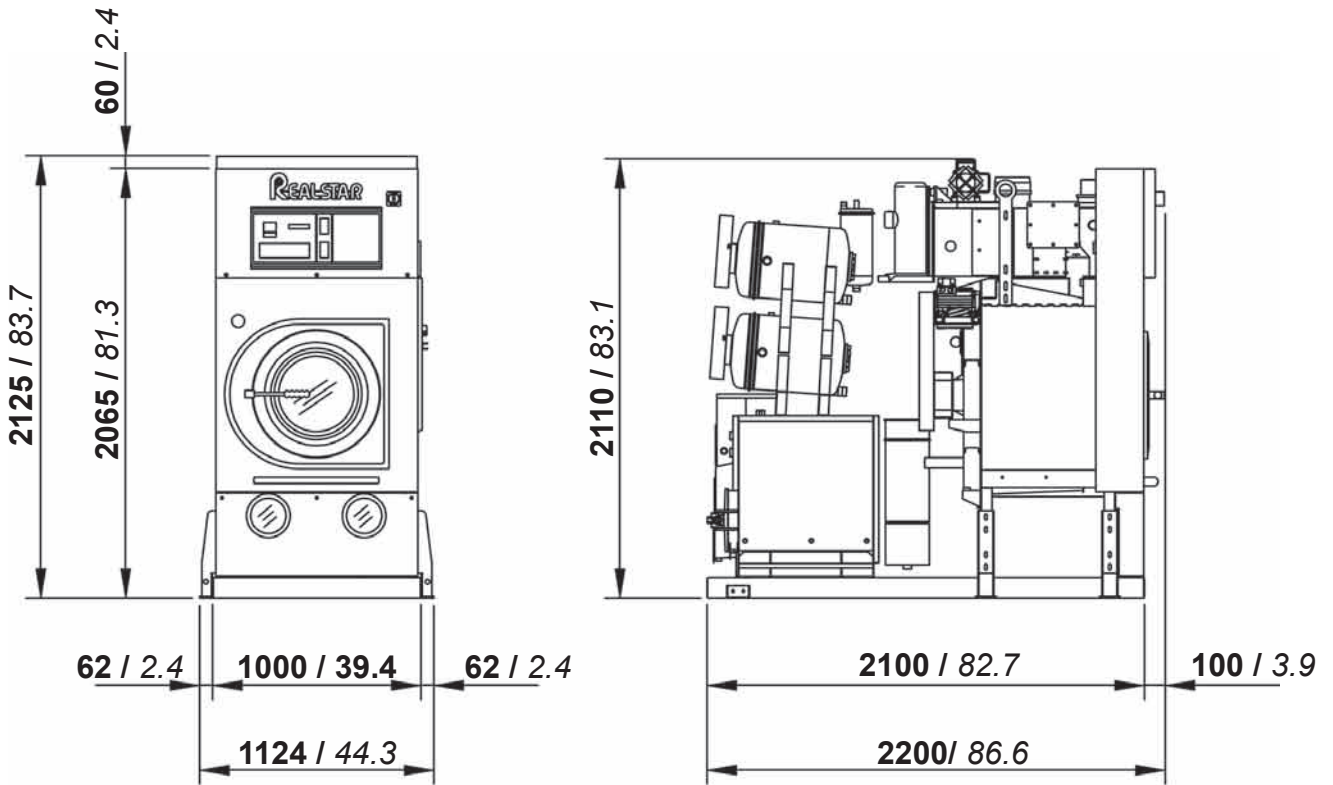
ONE NYLON FILTER			
	Volume nylon filter housing	35 Lt	<i>9.2 gal</i>
	Nylon filter area	2.1 mt²	<i>22.6 ft²</i>
	Filter disks	14 nr	

ONE NYLON FILTER AND ONE LARGE CARTRIDGE - KR			
	Volume nylon filter housing	35 Lt	<i>9.2 gal</i>
	Nylon filter area	2.1 mt²	<i>22.6 ft²</i>
	Filter disks	14 nr	
	Vol. large cartridge housing KR	35 Lt	<i>9.2 gal</i>
	Area large cartridge KR	2.6 mt²	<i>28 ft²</i>
	Cartridges quantity KR	nr 1	

TWO NYLON FILTER			
	Volume nylon filter housing	35x2=70 Lt	<i>9.2x2=18.4 gal</i>
	Nylon filter area	2.1x2=4.2 mt²	<i>22.6x2=45.2 ft²</i>
	Filter disks	14x2=28 nr	

ONE NYLON FILTER AND ONE DECOLORATING FILTER PR			
	Volume nylon filter housing	35 Lt	<i>9.2 gal</i>
	Nylon filter area	2.1 mt²	<i>22.6 ft²</i>
	Filter disks	14 nr	
	Decolorating housing volume PR	13 Lt	<i>3.4 gal</i>
	Decolorating cartridges	1 nr	
	Decolorating cabon quantity	2 kg	<i>4.4 Lbs</i>

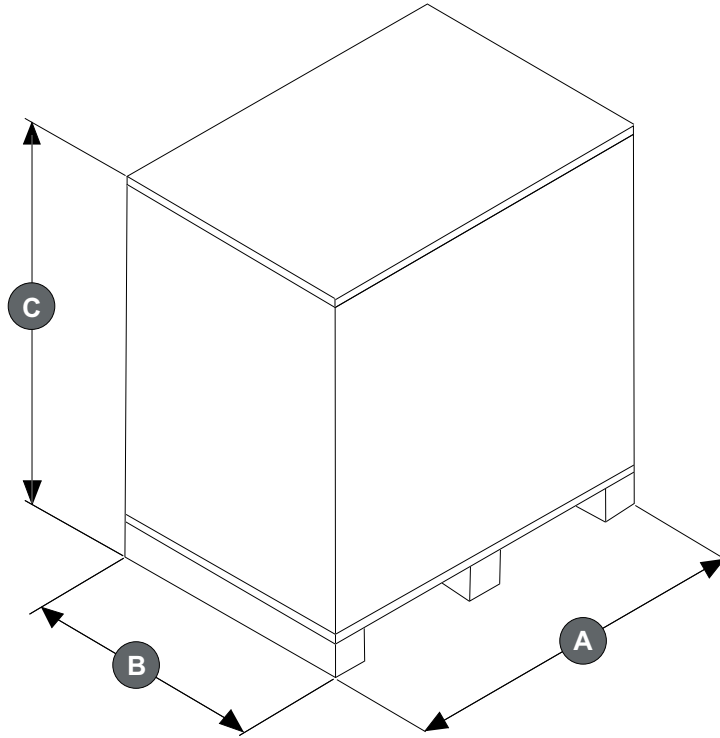
DIMENSIONS AND WEIGHTS



mm / inches

CHARGES		
Empty machine weight	1220 Kg	2690 Lbs
Machine weight with solvent	1435 Kg	3164 Lbs
Static charge on the floor with solvent	684 Kg/m²	140 Lbs/ft ²
Dynamic charge on the floor (+10%)	1021 Kg/m²	210 Lbs/ft ²

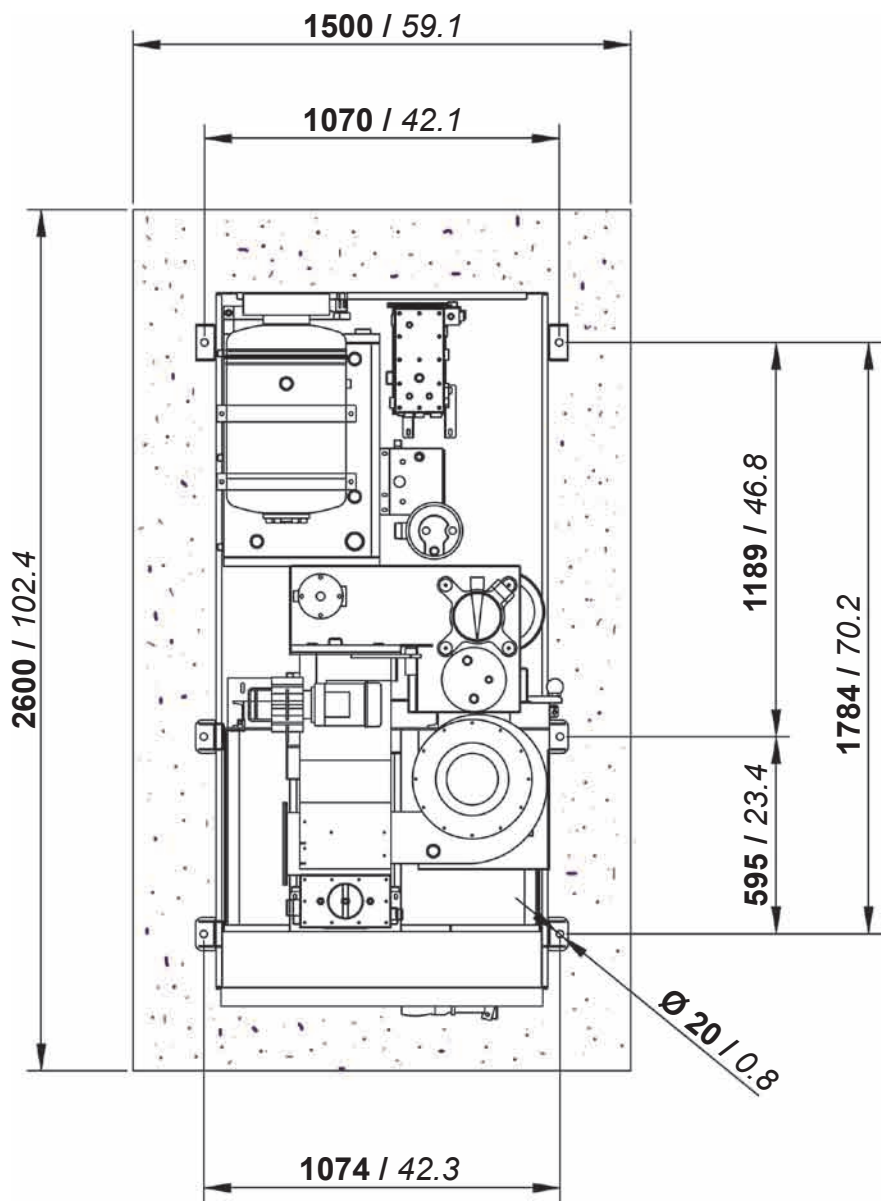
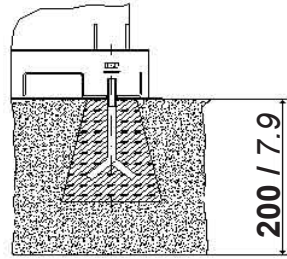
PACKAGED MACHINE DIMENSIONS AND WEIGHTS



PACKAGED MACHINE DIMENSIONS							
Machine type	Carton		Wooden cage		Wooden case		
Standard	A	2280 mm	89.8 inches	- mm	- inches	- mm	- inches
	B	1160 mm	45.7 inches	- mm	- inches	- mm	- inches
	C	2245 mm	88.4 inches	- mm	- inches	- mm	- inches

PACKAGED MACHINE WEIGHTS						
Machine type	Carton		Wooden cage		Wooden case	
Standard	1310 Kg	2888 Lbs	- Kg	- Lbs	- Kg	- Lbs

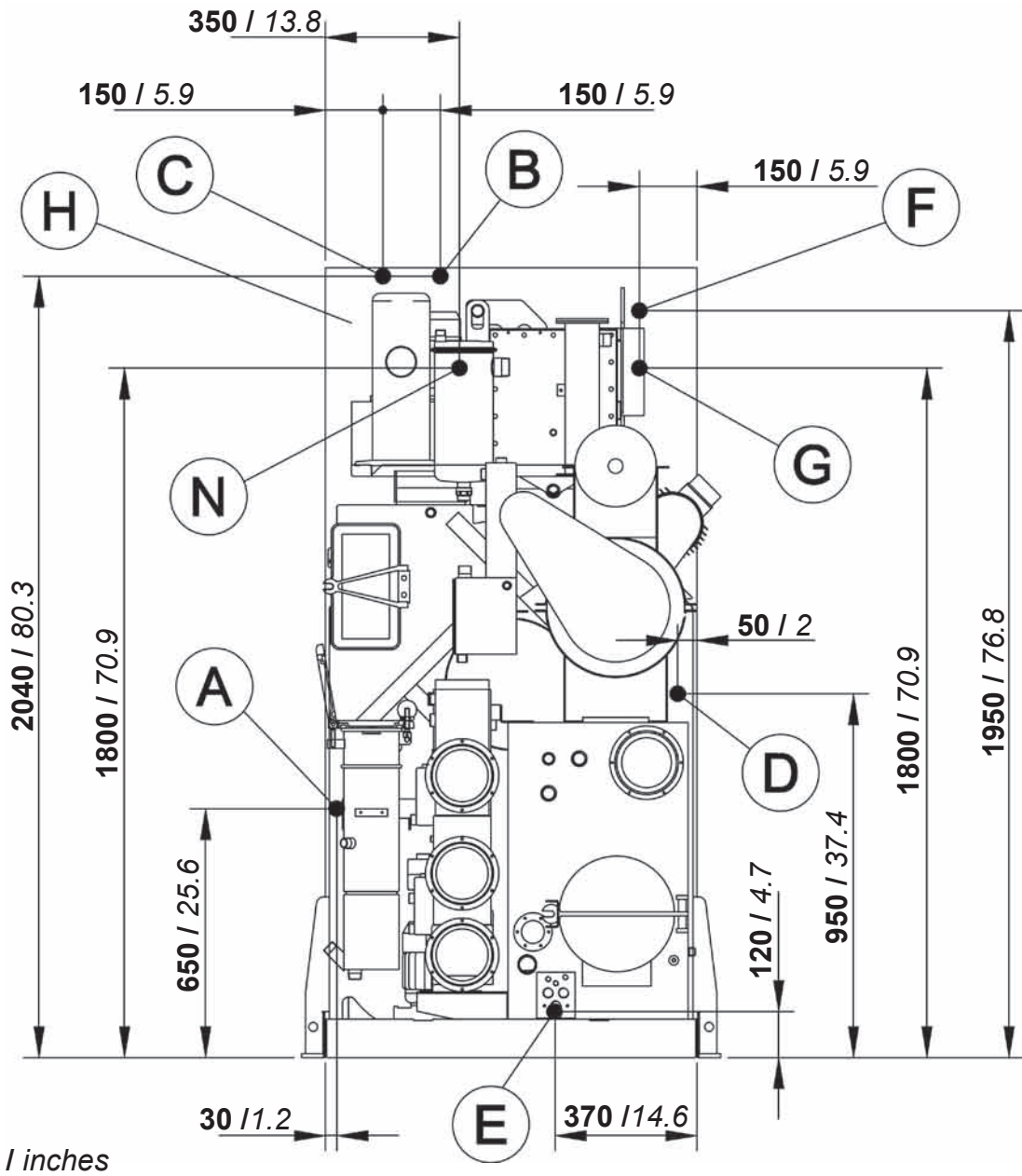
FIXING POINTS



mm / inches



CONNECTIONS



A	Compressed air inlet	mm 6	Ø 1/4"
B	Water inlet	Ø 3/4"	
C	Water outlet	Ø 3/4"	
D	Steam still inlet	Ø 1/2"	
E	Condensate still outlet	Ø 1/2"	
F	Steam heater inlet	Ø 1/2"	
G	Condensate heater outlet	Ø 1/2"	
H	Electric connection		
N	Nitrogen feeding connection (N ₂)		

SOLVENT TYPE	HYDROCARBON			
NECESSARY QUANTITY OF SOLVENT TO FILL THE MACHINE				
Machine version - without Filters	210 Lt	162 Kg	<i>55.5 gal</i>	<i>357 Lbs</i>
Machine version - 1 Nylon Filter	245 Lt	189 Kg	<i>65 gal</i>	<i>417 Lbs</i>
Machine version - 1 Nylon Filter + 1 KR	280 Lt	216 Kg	<i>74 gal</i>	<i>476 Lbs</i>
Machine version - 2 Nylon Filters	280 Lt	216 Kg	<i>74 gal</i>	<i>476 Lbs</i>
Machine version - 1 Nylon Filter + 1 Deco	258 Lt	199 Kg	<i>68 gal</i>	<i>439 Lbs</i>

INFORMATION FOR THE ELECTRICAL CONNECTIONS			(400 V - 50 Hz)
ELECTRIC Version	17 Kw	32 Amp	
STEAM Version	6 Kw	18 Amp	
Dissipated heat	3070 Kcal		

INFORMATION FOR THE ELECTRICAL CONNECTIONS			(220 V - 60 Hz)
ELECTRIC Version	17 Kw	60 Amp	
STEAM Version	6 Kw	30 Amp	
Dissipated heat	3070 Kcal		

GENERAL INFORMATION		
Required water capacity	Lt/min 10	<i>gal/min 2.6</i>
Required water pressure	bar 2 ÷ 3	<i>psi 29 ÷ 44</i>
Required water temperature	°C 18 ÷ 23	<i>°F 65 ÷ 73</i>
Required air pressure	bar 7 ÷ 8	<i>psi 100 ÷ 115</i>
Required steam pressure (Steam Version)	bar 4 ÷ 5	<i>psi 55 ÷ 70</i>
Required steam availability	Kg/h 40	<i>Lbs/h 88</i>

All technical data are subject to change without notice.