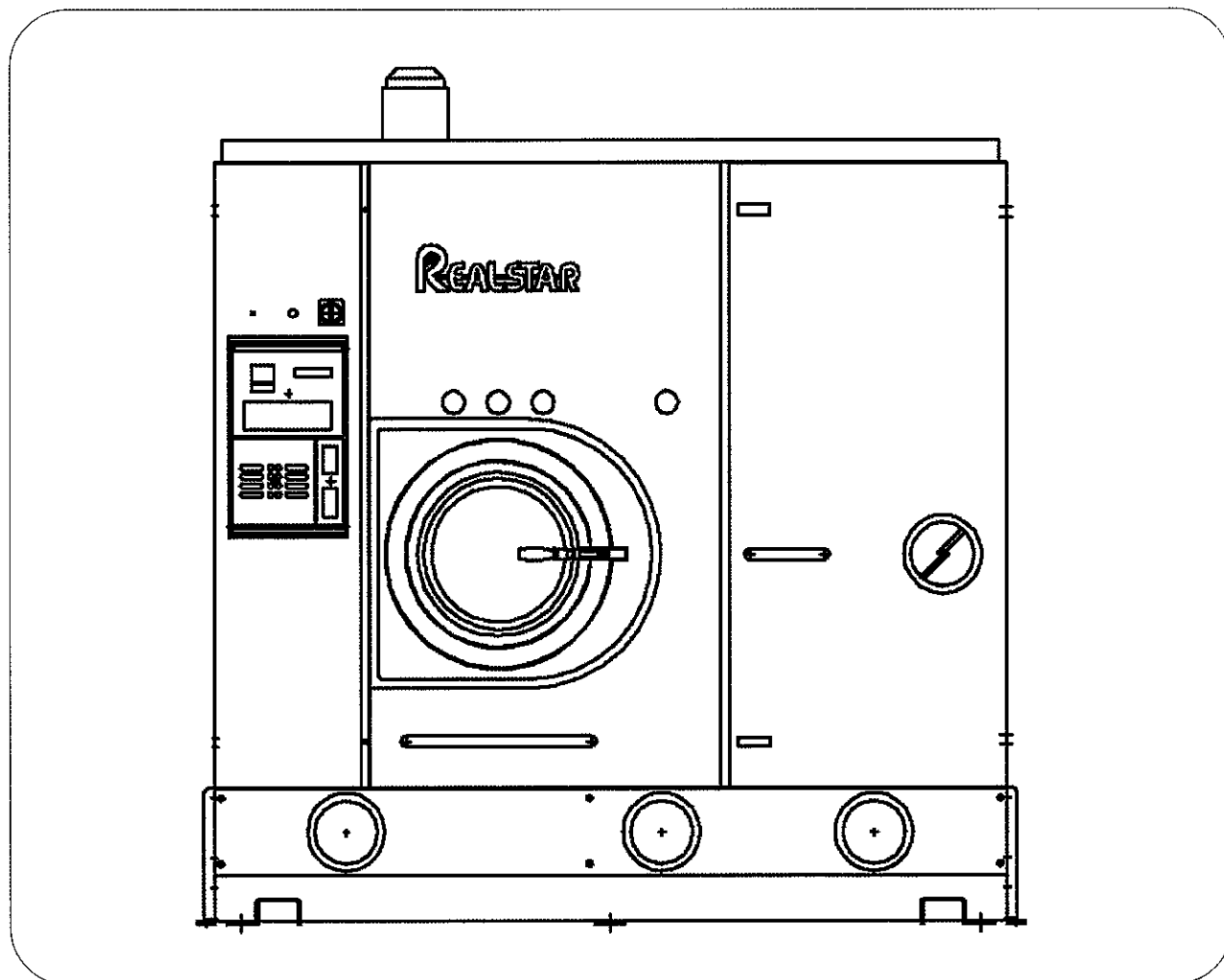




MACHINE LAVASECCO - DRY CLEANING MACHINES

## TECHNICAL INFORMATION



# **KM503 K4**

<b>WORKING MACHINE WITH SOLVENT:</b>	<b>HYDROCARBON / GREEN EARTH / SOLVON K4</b>	
<b>MACHINE CAPACITY</b>	Lbs	<b>60</b>

**BASKET**

Diameter	inches	<b>39.4</b>
Depth	inches	<b>25.2</b>
Volume	gal	<b>132</b>
Wash speed	rpm	<b>12 ÷ 50</b>
Extract speed	rpm	<b>300 ÷ 540</b>
Door opening	inches	<b>20</b>

**SOLVENT TANKS**

Useful volume tank 1	gal	<b>42</b>
Useful volume tank 2	gal	<b>42</b>
Useful volume tank 3	gal	<b>53</b>
<b>FLOOR SAFETY TANK CAPACITY</b>	gal	<b>113.5</b>

**DESTILLATOR**

Useful volume at half inspection	gal	<b>68</b>
Total volume	gal	<b>86</b>
Boiler water capacity	gal	<b>2.6</b>

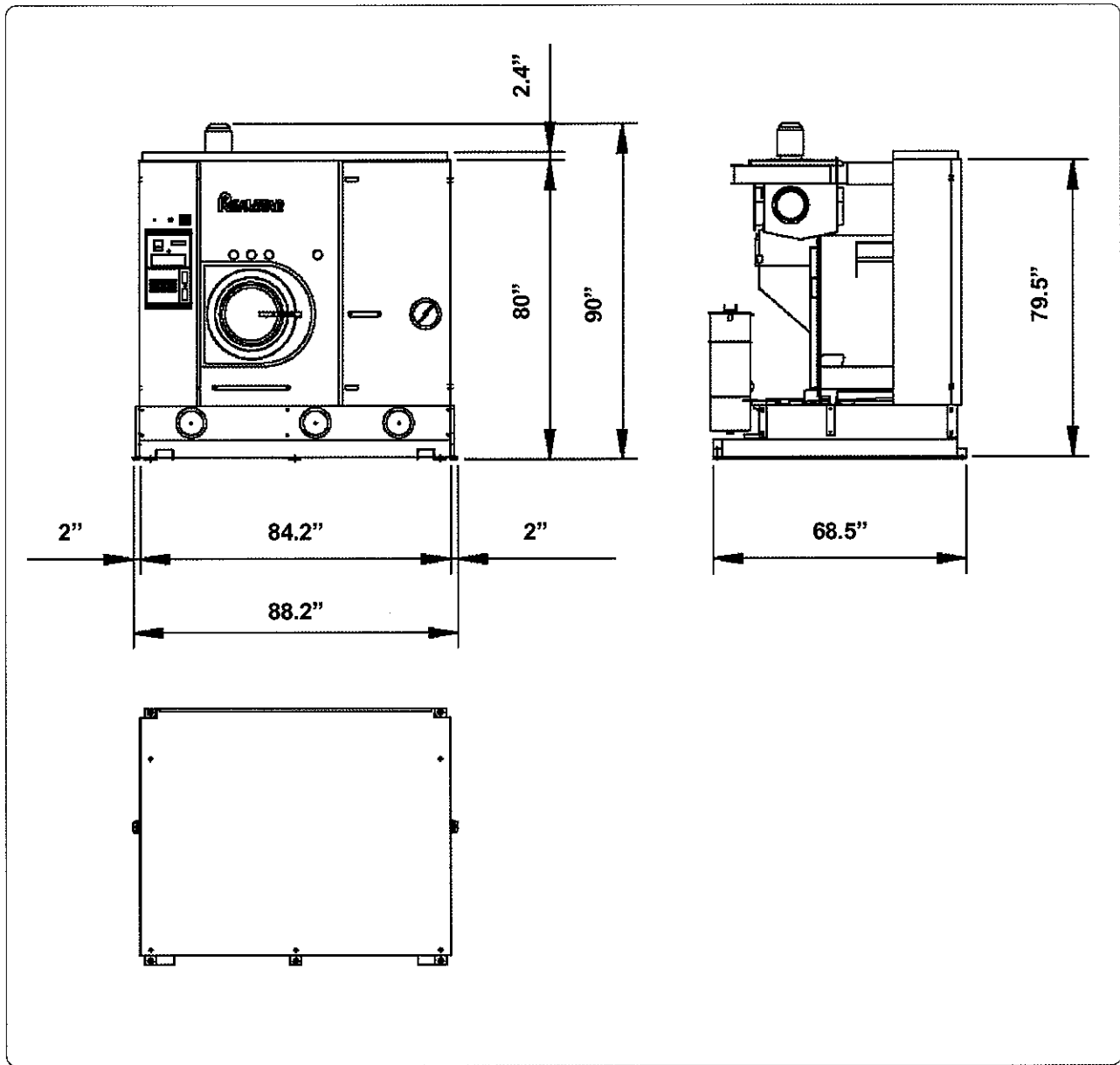
**ELECTRIC POWER**
**(220 V - 60 Hz)**

Wash motor - Extract motor (with Inverter)*	Hp	<b>7.5</b>	Kw	<b>5.5</b>
Solvent pump motor	Hp	<b>1</b>	Kw	<b>0.75</b>
Fan motor	Hp	<b>3</b>	Kw	<b>2.25</b>
Refrigerator compressor	Hp	<b>6.5</b>	Kw	<b>4.85</b>
Nylon filter motor	Hp	<b>0.75</b>	Kw	<b>0.55</b>
Vacuum pump motor	Hp	<b>0.5</b>	Kw	<b>0.38</b>
Still + Heater electric elements - A	Hp		Kw	<b>16.5</b>
Still + Heater electric elements - B	Hp		Kw	<b>9</b>
Air motor compressor	Hp	<b>0.5</b>	Kw	<b>0.38</b>
Blower for Button trap drying	Hp	<b>0.75</b>	Kw	<b>0.55</b>
-	Hp	<b>-</b>	Kw	<b>-</b>

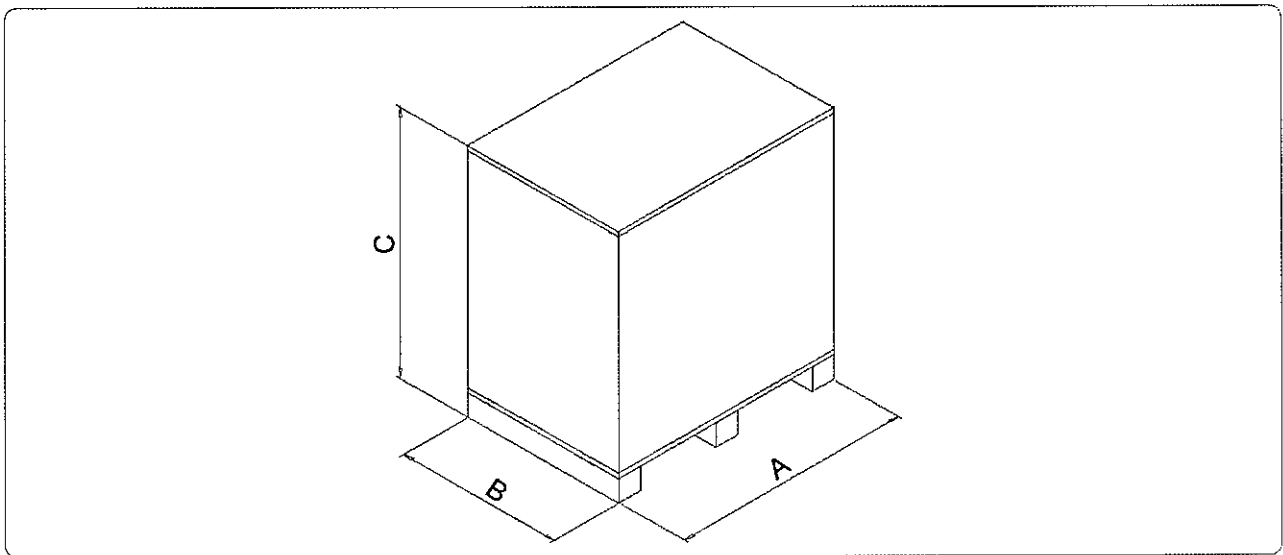
\* POWER CHANGES ACCORDINGLY TO THE USE OF THE MACHINE

NOTE: Acoustic emission level of the machine is lower than 70 dB (A)

<b>FILTRATION AVAILABLE IN THIS MODEL</b>			
<b>Version - 04</b>	<b>ONE NYLON FILTER AND ONE LARGE CARTRIDGE - KR</b>		
	Volume nylon filter housing	gal	20
	Nylon filter area	ft <sup>2</sup>	60
	Filter disks	nr	39
	Volume large cartridge housing - KR	gal	22.5
	Area large cartridge	ft <sup>2</sup>	28 x 3 = 84
	Cartridges quantity	nr	3
<b>Version - 05</b>	<b>TWO NYLON FILTERS</b>		
	Volume nylon filter housing	gal	20
		ft <sup>2</sup>	60
	Nylon filter area	nr	39
		gal	6.6
	Filter disks	nr	2
	Lbs	8.8	
<b>Version - 10</b>	<b>ONE NYLON ONE CARTRIDGE -KR ONE DECOLORATING</b>		
	Volume nylon filter	gal	20
	Nylon filter area	ft <sup>2</sup>	60
	Filter disks	nr	39
	Volume large cartridge housing - KR	gal	22.5
	Area large cartridge	ft <sup>2</sup>	28 x 3 = 84
	Cartridge quantity	nr	3
	Volume decolorating housing	gal	6.6
	Tubes	nr	1
	Cartridge quantity	nr	2
	Decolorating carbon quantity	Lbs	8.8
<b>Version - 14</b>	<b>TWO NYLON FILTERS AND TWO DECOLORATING FILTER</b>		
	Volume nylon filter housing	gal	20 x 2 = 40
	Nylon filter area	ft <sup>2</sup>	60 x 2 = 120
	Filter disks	nr	39 x 2 = 78
	Volume decolorating housing	gal	6.6 x 2 = 13.2
	Tubes	nr	1 x 2 = 2
	Cartridge quantity	nr	2 x 2 = 4
	Decolorating carbon quantity	Lbs	8.8 x 2 = 17.6

**DIMENSIONS AND WEIGHTS**

**CHARGES**

Empty machine weight	Lbs	<b>4805</b>
Machine weight with solvent	Lbs	<b>6050</b>
Static charge on the floor with solvent	Lbs/ft <sup>2</sup>	<b>150</b>
Dynamic charge on the floor (+10%)	Lbs/ft <sup>2</sup>	<b>242</b>

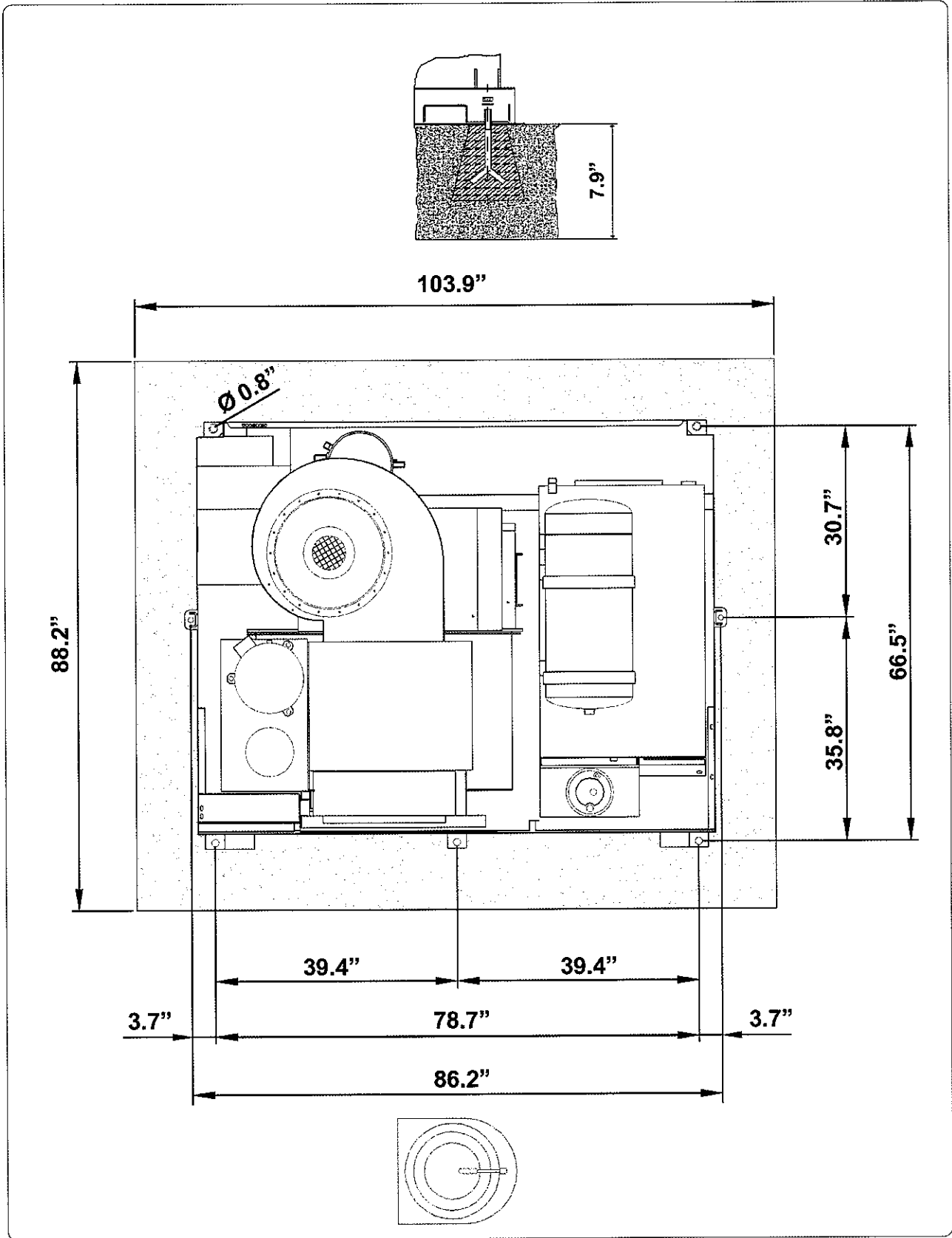
**PACKAGED MACHINE DIMENSIONS AND WEIGHTS**

**PACKAGED MACHINE DIMENSIONS**

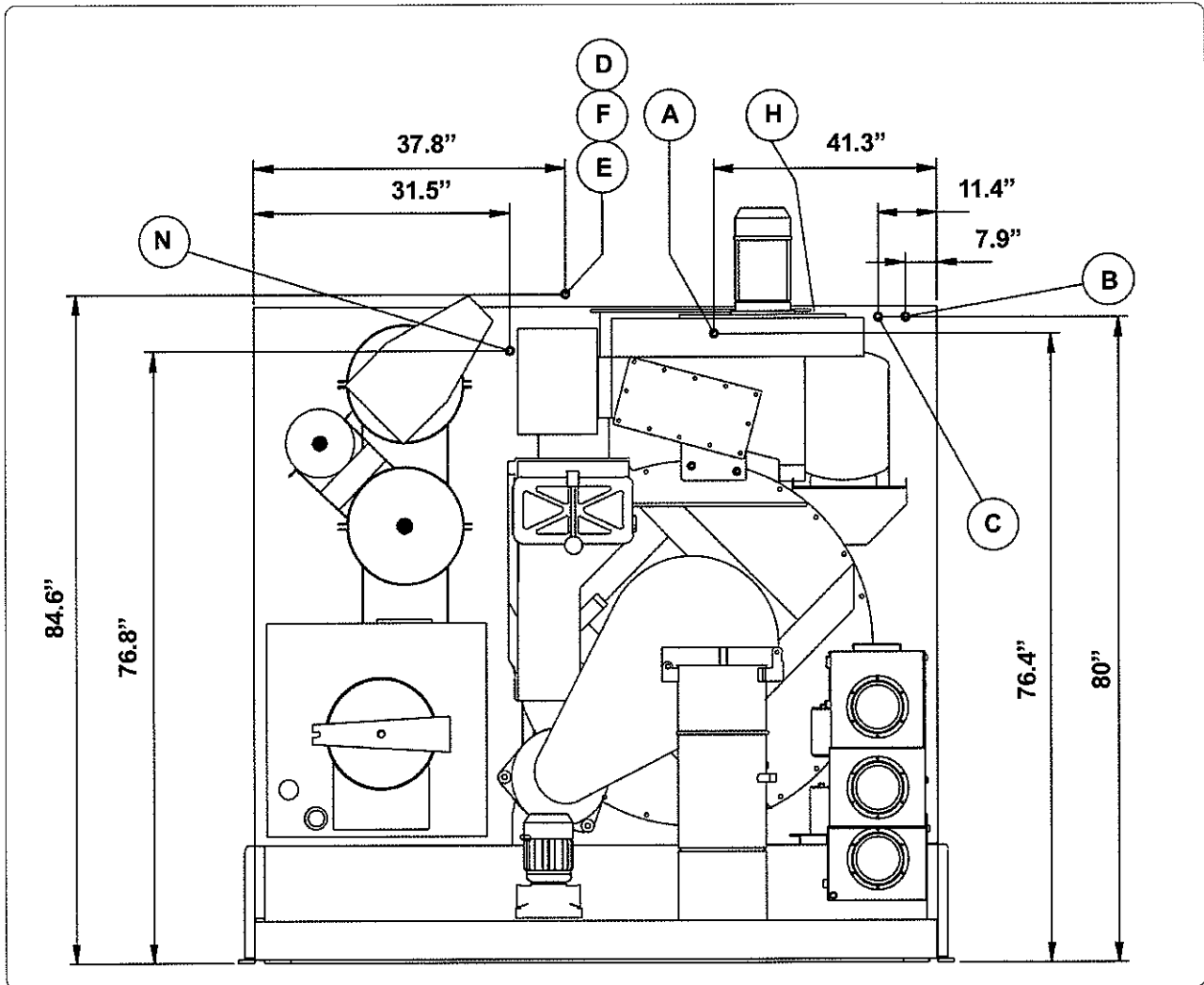
Machine type		Carton	Wooden cage	Wooden case
<b>KM503 K4</b>	A	inches 88.2	inches 89.8	
	B	inches 78.3	inches 74.8	
	C	inches 96.1	inches 96.1	

**PACKAGED MACHINE WEIGHTS**

Machine type		Carton	Wooden cage	Wooden case
<b>KM503 K4</b>		Lbs 5050	Lbs 5555	

### FIXING POINTS



**CONNECTIONS**


A	Compressed air inlet	Ø 6 mm / 1/4"
B	Water inlet	Ø 1"
C	Water outlet	Ø 1"
D	Steam still inlet	Ø 1/2"
E	Condensate still outlet	Ø 1/2"
F	Steam heater inlet	Ø 1/2"
-	-	-
H	Electric connection	
N	Nitrogen feeding connection (N <sub>2</sub> )	

SOLVENT TYPE		HYDROCARBON/ GREEN EARTH / SOLVON K4		
NECESSARY QUANTITY OF SOLVENT TO FILL THE MACHINE				
Machine Version - 04	gal	180	Lbs	1155
Machine Version - 08	gal	164	Lbs	1054
Machine Version - 10	gal	186	Lbs	1197
Machine Version - 14	gal	190	Lbs	1224

INFORMATION FOR THE ELECTRICAL CONNECTIONS (220 V - 60 Hz)				
ELECTRIC Version	Kw	-	Amp	-
STEAM Version	Kw	14	Amp	71.5
Dissipated heat			Kcal	7135

GENERAL INFORMATION		
Required water capacity	gal/min	3
Required water pressure	psi	29 ÷ 44
Required water temperature	°F	65° ÷ 70°
Required air pressure	psi	100 ÷ 115
Required steam pressure (Steam Version)	psi	55 ÷ 70
Required steam availability(Steam Version)	Lbs/h	132

*All technical data are subject to change without notice.*