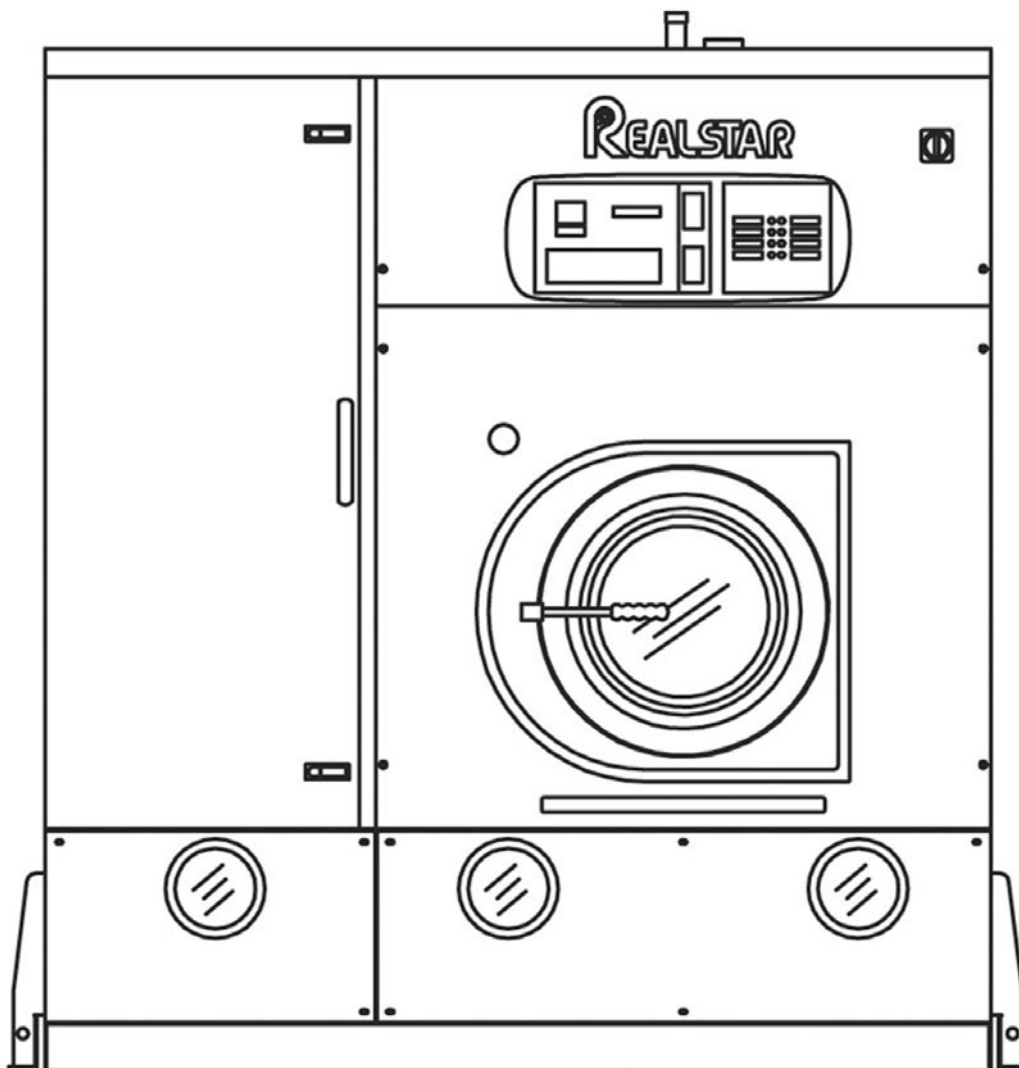




**MACCHINE LAVASECCO - DRY CLEANING MACHINES**

## TECHNICAL INFORMATION



# **KM 325 K4**

<b>WORKING MACHINE WITH SOLVENT</b>	<b>HYDROCARBON / GREEN EARTH / SOLVON K4</b>	
<b>MACHINE CAPACITY</b>	<b>25 Kg</b>	<b>55÷60 Lbs</b>

<b>BASKET</b>		
Diameter	<b>1000 mm</b>	<i>39.4 inches</i>
Depth	<b>640 mm</b>	<i>25.2 inches</i>
Volume	<b>500 Lt</b>	<i>17.7 cu.ft</i>
Wash speed	<b>20 ÷ 50 rpm</b>	
Extract speed	<b>300 ÷ 520 rpm</b>	
Door opening	<b>500 mm</b>	<i>20 inches</i>

<b>SOLVENT TANKS</b>		
Useful volume tank 1	<b>145 Lt</b>	<i>38 gal</i>
Useful volume tank 2	<b>145 Lt</b>	<i>38 gal</i>
Useful volume tank 3	<b>195 Lt</b>	<i>52 gal</i>
<b>FLOOR SAFETY TANK CAPACITY</b>	<b>327 Lt</b>	<i>86 gal</i>

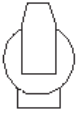
<b>STILL</b>		
Useful volume at half inspection	<b>190 Lt</b>	<i>50 gal</i>
Total volume	<b>230 Lt</b>	<i>61 gal</i>
Boiler water capacity	<b>5 Lt</b>	<i>1.3 gal</i>

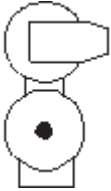
<b>ELECTRIC POWER</b>	<b>400V - 3~50Hz</b>		<b>220V - 3~60Hz</b>	
Wash - Extract (With Inverter)	<b>*2.7-7.5 Hp</b>	<b>*2-5.5 Kw</b>	<i>*2.7-7.5 Hp</i>	<i>*2-5.5 Kw</i>
Solvent pump motor	<b>1 Hp</b>	<b>0.75 Kw</b>	<i>1 Hp</i>	<i>0.75 Kw</i>
Fan motor	<b>2 Hp</b>	<b>1.5 Kw</b>	<i>3.5 Hp</i>	<i>2.65 Kw</i>
Refrigerator compressor	<b>5 Hp</b>	<b>3.75 Kw</b>	<i>5 Hp</i>	<i>3.75 Kw</i>
Nylon filter motor	<b>0.75 Hp</b>	<b>0.55 Kw</b>	<i>0.75 Hp</i>	<i>0.55 Kw</i>
Vacuum pump motor	<b>0.5 Hp</b>	<b>0.38 Kw</b>	<i>0.5 Hp</i>	<i>0.38 Kw</i>
Still electric elements	-	<b>12 Kw</b>	-	<i>12 Kw</i>
Heater electric elements	-	<b>9 Kw</b>	-	<i>9 Kw</i>
Air motor compressor (optional)	<b>0.5 Hp</b>	<b>0.38 Kw</b>	<i>0.5 Hp</i>	<i>0.38 Kw</i>


\* POWER CHANGES ACCORDINGLY TO THE USE OF THE MACHINE


NOTE: Acoustic emission level of the machine is lower than 70 dB (A)

**FILTRATION AVAILABLE IN THIS MODEL**

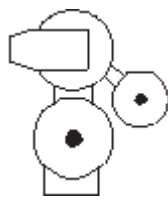
<b>ONE NYLON FILTER</b>			
	Volume nylon filter housing	<b>55 Lt</b>	<i>14.5 gal</i>
	Nylon filter area	<b>3,9 mt<sup>2</sup></b>	<i>42 ft<sup>2</sup></i>
	Filter disks	<b>26 nr</b>	

<b>ONE NYLON FILTER AND ONE LARGE CARTRIDGE - KR</b>			
	Volume nylon filter housing	<b>55 Lt</b>	<i>14.5 gal</i>
	Nylon filter area	<b>3,9 mt<sup>2</sup></b>	<i>42 ft<sup>2</sup></i>
	Filter disks	<b>26 nr</b>	
	Vol. large cartridge housing KR	<b>55 Lt</b>	<i>14.5 gal</i>
	Area large cartridge KR	<b>2,6x2=5,2 mt<sup>2</sup></b>	<i>28x2=56 ft<sup>2</sup></i>
	Cartridges quantity KR	<b>nr 2</b>	

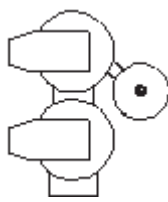
<b>TWO NYLON FILTER</b>			
	Volume nylon filter housing	<b>55x2=110 Lt</b>	<i>137.4 gal</i>
	Nylon filter area	<b>3,9x2=7,8 mt<sup>2</sup></b>	<i>42x2=84 ft<sup>2</sup></i>
	Filter disks	<b>26x2=52 nr</b>	

<b>ONE NYLON FILTER AND ONE DECOLORATING FILTER PR</b>			
	Volume nylon filter housing	<b>55 Lt</b>	<i>14.5 gal</i>
	Nylon filter area	<b>3,9 mt<sup>2</sup></b>	<i>42 ft<sup>2</sup></i>
	Filter disks	<b>26 nr</b>	
	Decolorating housing volume PR	<b>13 Lt</b>	<i>3.4 gal</i>
	Decolorating cartridges	<b>1 nr</b>	
	Decolorating cabon quantity	<b>2 kg</b>	<i>4.4 Lbs</i>

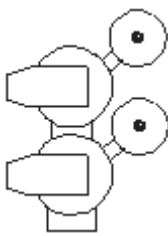
**ONE NYLON ONE CARTRIDGE -KR ONE DECOLORATING**

	Volume nylon filter housing	<b>55 Lt</b>	<i>14.5 gal</i>
	Nylon filter area	<b>3,9 mt<sup>2</sup></b>	<i>42 ft<sup>2</sup></i>
	Filter disks	<b>26 nr</b>	
	Vol. large cartridge housing KR	<b>55 Lt</b>	<i>14.5 gal</i>
	Area large cartridge KR	<b>2,6x2=5,2 mt<sup>2</sup></b>	<i>28x2=56 ft<sup>2</sup></i>
	Cartridges quantity KR	<b>nr 2</b>	
	Decolorating housing volume	<b>13 Lt</b>	<i>3.4 gal</i>
	Tubes	<b>1 nr</b>	
	Decolorating cartridges	<b>1 nr</b>	
	Decolorating cabon quantity	<b>2 kg</b>	<i>4.4 Lbs</i>

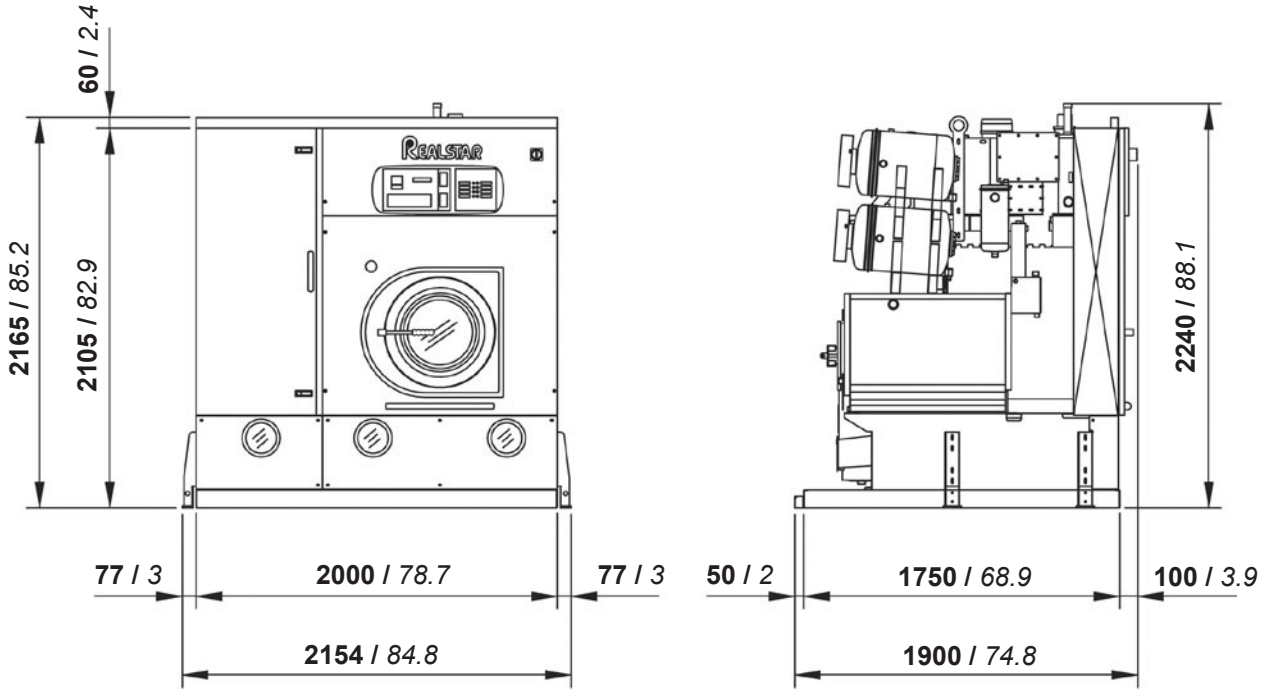
**TWO NYLON FILTERS AND ONE DECOLORATING FILTER**

	Volume nylon filter housing	<b>55x2=110 Lt</b>	<i>137.4 gal</i>
	Nylon filter area	<b>3,9x2=7,8 mt<sup>2</sup></b>	<i>42x2=84 ft<sup>2</sup></i>
	Filter disks	<b>26x2=52 nr</b>	
	Decolorating housing volume	<b>13 Lt</b>	<i>3.4 gal</i>
	Tubes	<b>1 nr</b>	
	Decolorating cartridges	<b>1 nr</b>	
	Decolorating cabon quantity	<b>2 kg</b>	<i>4.4 Lbs</i>

**TWO NYLON FILTER AND TWO DECOLORATING FILTER**

	Volume nylon filter housing	<b>55x2=110 Lt</b>	<i>137.4 gal</i>
	Nylon filter area	<b>3,9x2=7,8 mt<sup>2</sup></b>	<i>42x2=84 ft<sup>2</sup></i>
	Filter disks	<b>26x2=52 nr</b>	
	Decolorating housing volume	<b>13x2=26 Lt</b>	<i>3.4x2=6.8 gal</i>
	Tubes	<b>2 nr</b>	
	Decolorating cartridges	<b>2 nr</b>	
	Decolorating cabon quantity	<b>4 kg</b>	<i>8.8 Lbs</i>

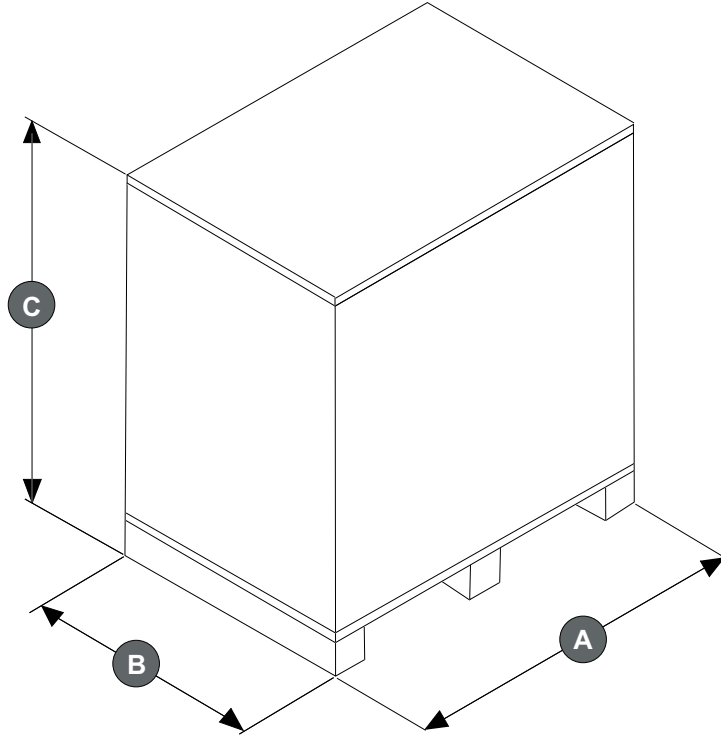
**DIMENSIONS AND WEIGHTS**



mm / inches

<b>CHARGES</b>		
Empty machine weight	<b>2100 Kg</b>	<b>4630 Lbs</b>
Machine weight with solvent	<b>2578 Kg</b>	<b>5684 Lbs</b>
Static charge on the floor with solvent	<b>737 Kg/m<sup>2</sup></b>	<b>151 Lbs/ft<sup>2</sup></b>
Dynamic charge on the floor (+10%)	<b>1174 Kg/m<sup>2</sup></b>	<b>240 Lbs/ft<sup>2</sup></b>

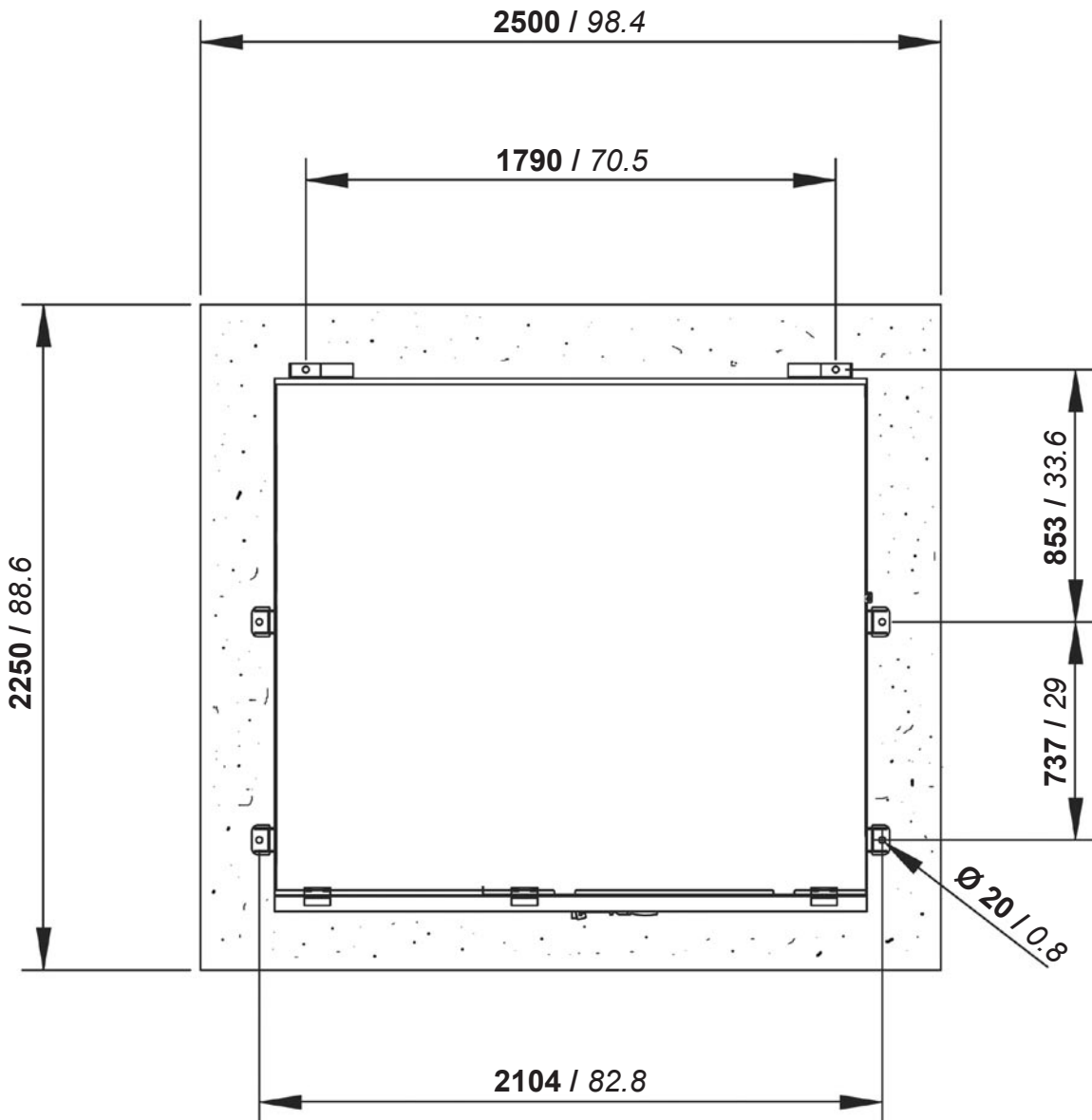
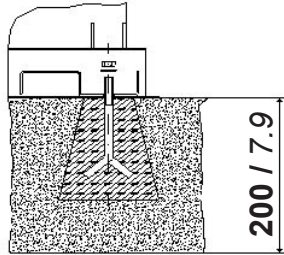
**PACKAGED MACHINE DIMENSIONS AND WEIGHTS**



PACKAGED MACHINE DIMENSIONS							
Machine type		Carton		Wooden cage		Wooden case	
<b>Standard</b>	<b>A</b>	- mm	- inches	- mm	- inches	- mm	- inches
	<b>B</b>	- mm	- inches	- mm	- inches	- mm	- inches
	<b>C</b>	- mm	- inches	- mm	- inches	- mm	- inches

PACKAGED MACHINE WEIGHTS						
Machine type	Carton		Wooden cage		Wooden case	
<b>Standard</b>	- Kg	- Lbs	- Kg	- Lbs	- Kg	- Lbs

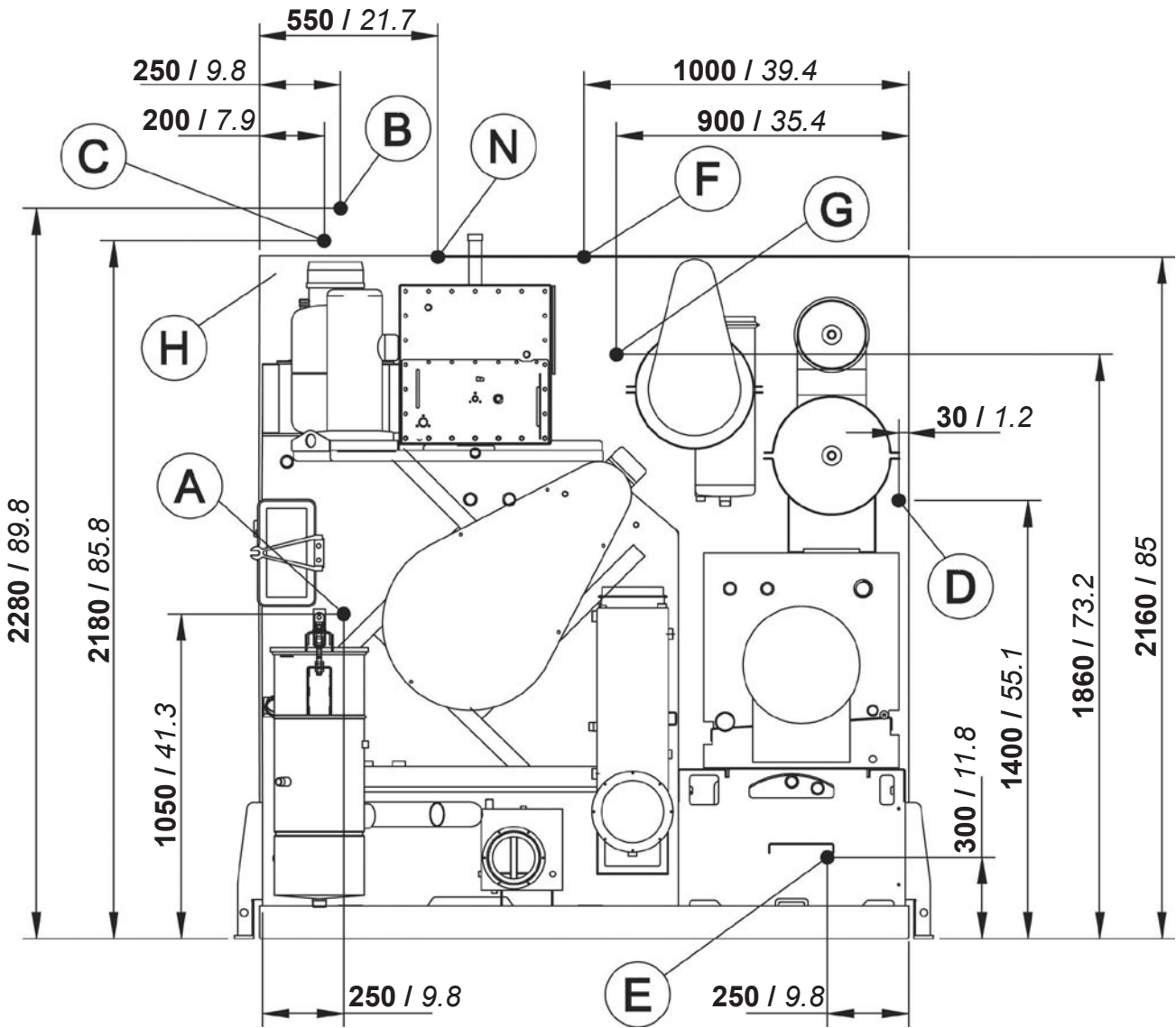
**FIXING POINTS**



mm / inches



**CONNECTIONS**



mm / inches

<b>A</b>	Compressed air inlet	Ø 6mm	Ø 1/4"
<b>B</b>	Water inlet	Ø 3/4"	
<b>C</b>	Water outlet	Ø 3/4"	
<b>D</b>	Steam still inlet	Ø 1/2"	
<b>E</b>	Condensate still outlet	Ø 1/2"	
<b>F</b>	Steam heater inlet	Ø 1/2"	
<b>G</b>	Condensate heater outlet	Ø 1/2"	
<b>H</b>	Electric connection		
<b>N</b>	Nitrogen feeding connection (N <sub>2</sub> )		



SOLVENT TYPE	HYDROCARBON / GREEN EARTH / SOLVON K4			
NECESSARY QUANTITY OF SOLVENT TO FILL THE MACHINE				
Machine version - without Filters	<b>485 Lt</b>	<b>373 Kg</b>	<i>128 gal</i>	<i>822 Lbs</i>
Machine version - 1 Nylon Filter	<b>540 Lt</b>	<b>416 Kg</b>	<i>143 gal</i>	<i>917 Lbs</i>
Machine version - 1 Nylon Filter + 1 KR	<b>595 Lt</b>	<b>458 Kg</b>	<i>157 gal</i>	<i>1010 Lbs</i>
Machine version - 2 Nylon Filters	<b>595 Lt</b>	<b>458 Kg</b>	<i>157 gal</i>	<i>1010 Lbs</i>
Machine version - 1 Nylon Filter + 1 Deco	<b>553 Lt</b>	<b>426 Kg</b>	<i>146 gal</i>	<i>939 Lbs</i>
Machine version - 1 Nylon Filter + 1 KR + 1 Deco	<b>608 Lt</b>	<b>468 Kg</b>	<i>161 gal</i>	<i>1032 Lbs</i>
Machine version - 2 Nylon Filters + 1 Deco	<b>608 Lt</b>	<b>468 Kg</b>	<i>161 gal</i>	<i>1032 Lbs</i>
Machine version - 2 Nylon Filters + 2 Deco	<b>621 Lt</b>	<b>478 Kg</b>	<i>164 gal</i>	<i>1054 Lbs</i>

INFORMATION FOR THE ELECTRICAL CONNECTIONS (400V - 3~50Hz)		
ELECTRIC Version	<b>29.5 Kw</b>	<b>69 Amp</b>
STEAM Version	<b>8.5 Kw</b>	<b>31 Amp</b>
Dissipated heat	<b>5500 Kcal</b>	

INFORMATION FOR THE ELECTRICAL CONNECTIONS (220V - 3~60Hz)		
ELECTRIC Version	<b>30.5 Kw</b>	<b>100 Amp</b>
STEAM Version	<b>9.5 Kw</b>	<b>47 Amp</b>
Dissipated heat	<b>5500 Kcal</b>	

GENERAL INFORMATION		
Required water capacity	<b>10 Lt/min</b>	<i>2.6 gal/min</i>
Required water pressure	<b>2 ÷ 3 bar</b>	<i>29 ÷ 44 psi</i>
Required water temperature	<b>18 ÷ 23 °C</b>	<i>65 ÷ 73 °F</i>
Required air pressure	<b>7 ÷ 8 bar</b>	<i>100 ÷ 115 psi</i>
Required steam* pressure (Steam Version)	<b>3.5 ÷ 4 bar</b>	<i>51 ÷ 58 psi</i>
Required steam* availability (Steam Version)	<b>70 Kg/h</b>	<i>154 Lbs/h</i>

\* Relative values of dry saturated steam.

All technical data are subject to change without notice.